



Important Information

Lock Programming Code

six (6) digits

User Code A

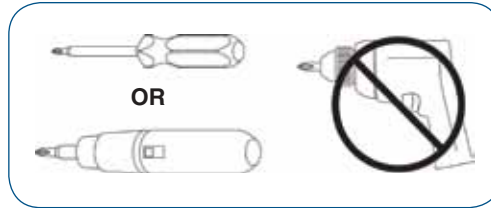
four (4) digits

User Code B

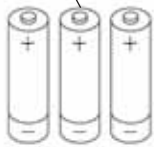
four (4) digits

Web Support: part2.schlage.com

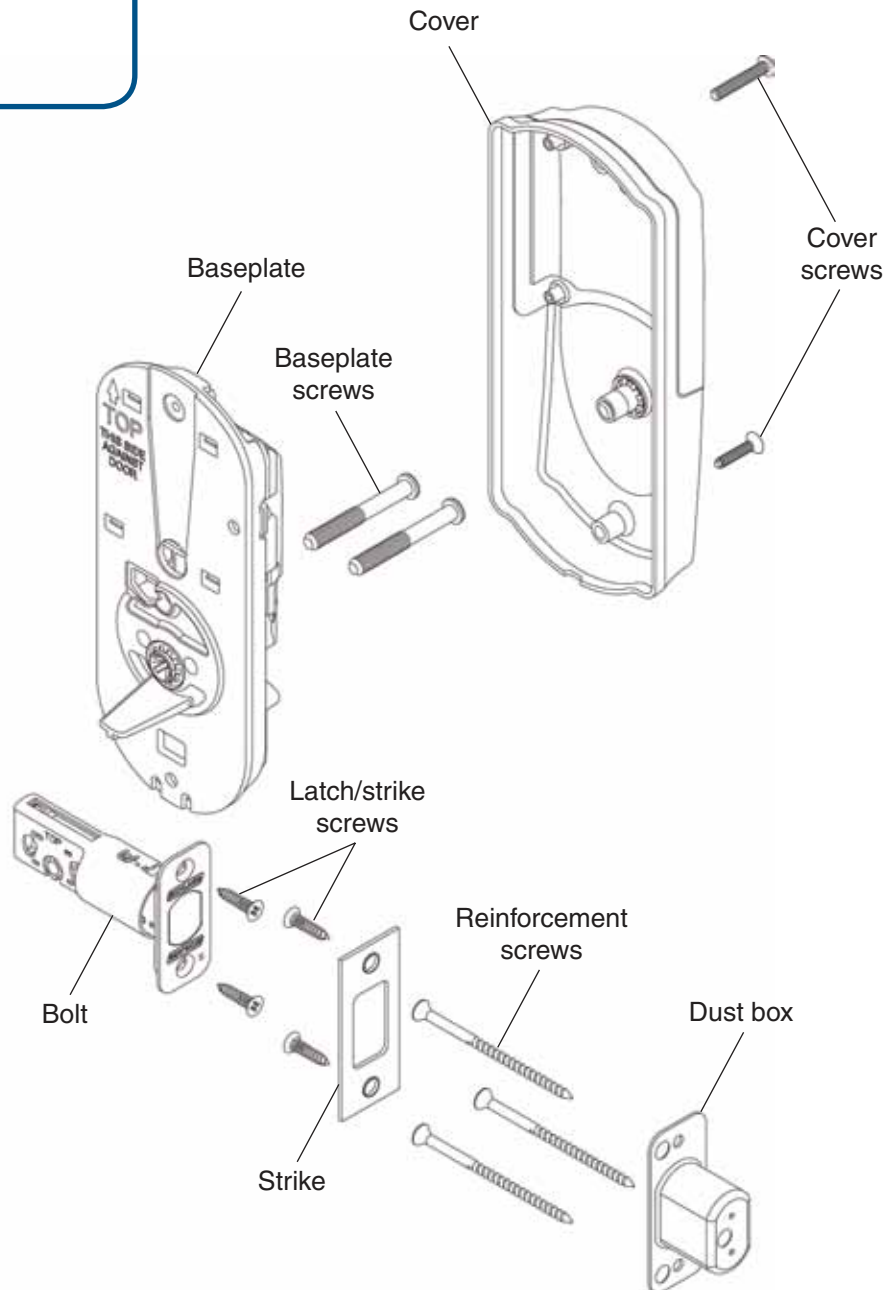
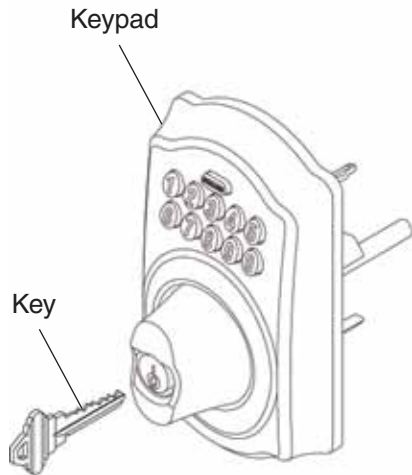
Customer Service: (877) 288-7707



AA batteries

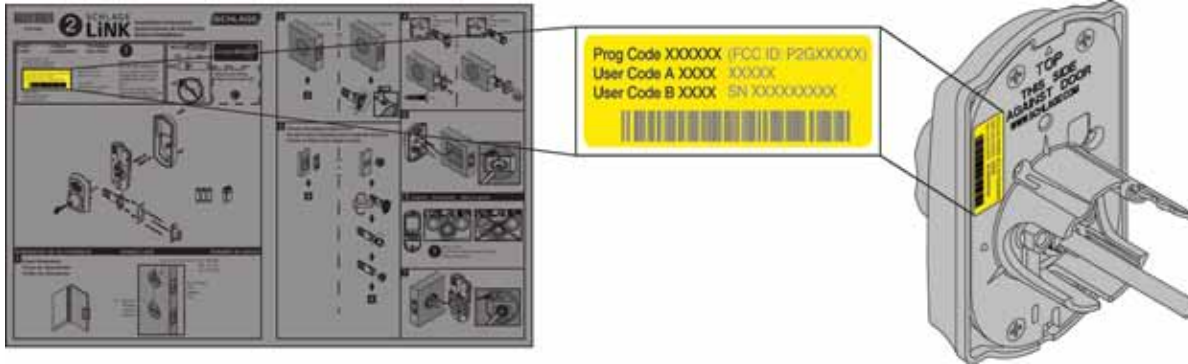


9V battery



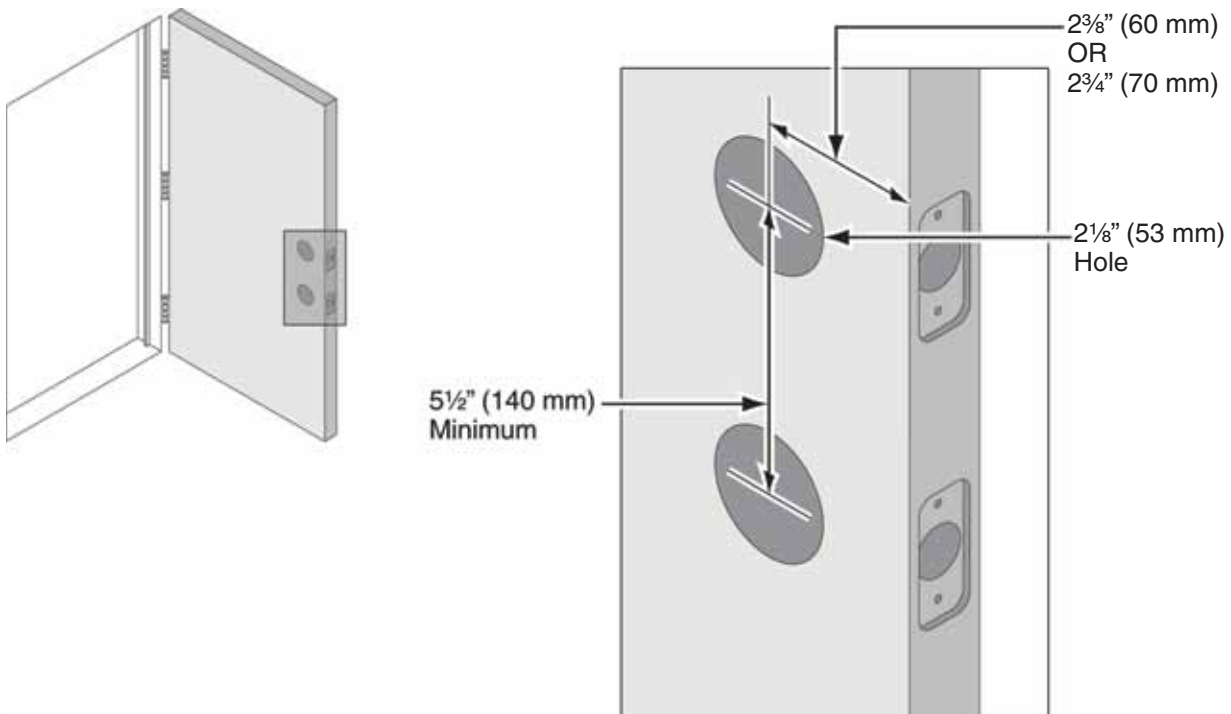
1 Locate Programming Code and Preset User Codes

The programming code and the preset user codes are printed on the yellow stickers located on the back of the keypad and on the installation sheet that came in the box. Write these codes in the space provided on the first page.



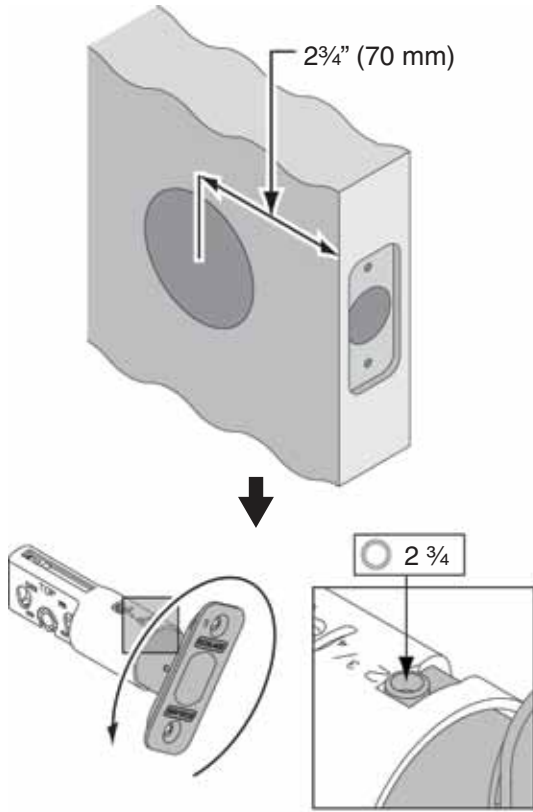
2 Check Door Dimensions

If your door does not match the dimensions shown, go to part2.schlage.com for instructions on how to prepare your door.

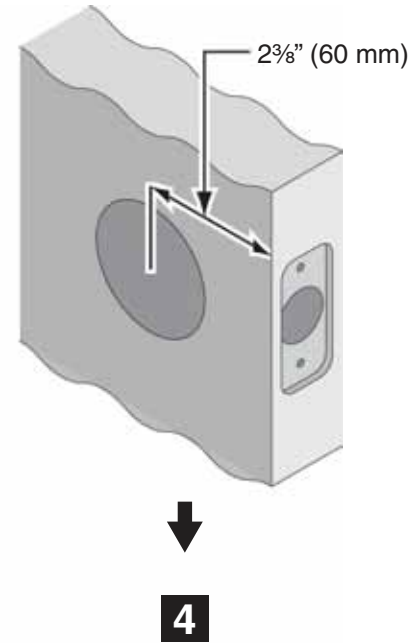


3 Check Backset

The backset is the distance from the edge of the door to the center of the hole through which the lock is installed. This lock will fit either a $2\frac{3}{4}$ " backset or a $2\frac{3}{8}$ " backset. The bolt is preset to fit a $2\frac{3}{8}$ ", you need to adjust your bolt by rotating it counterclockwise.

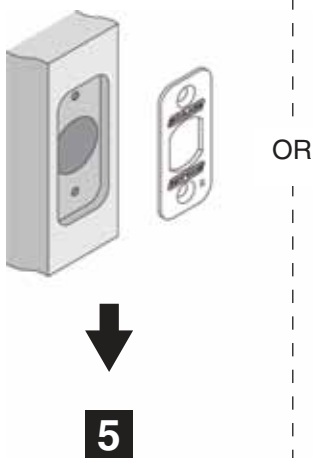


OR

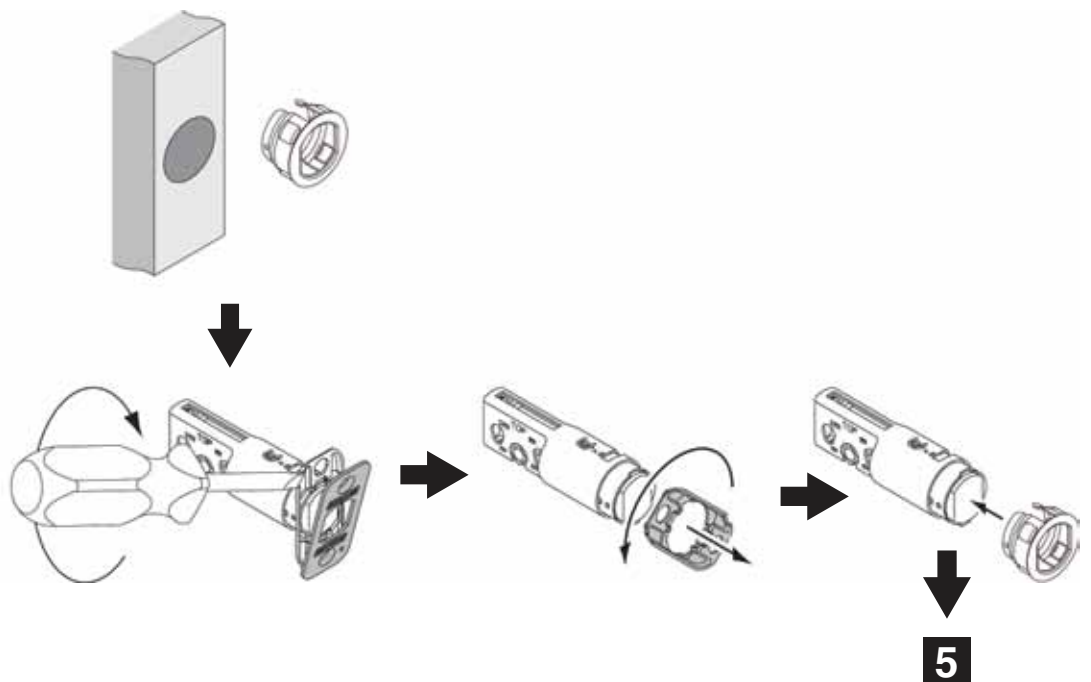


4 Choose Faceplate

Choose the faceplate that most matches your existing door preparation. To use the round faceplate, first remove the rectangular faceplate and back plate. Then attach the round faceplate.

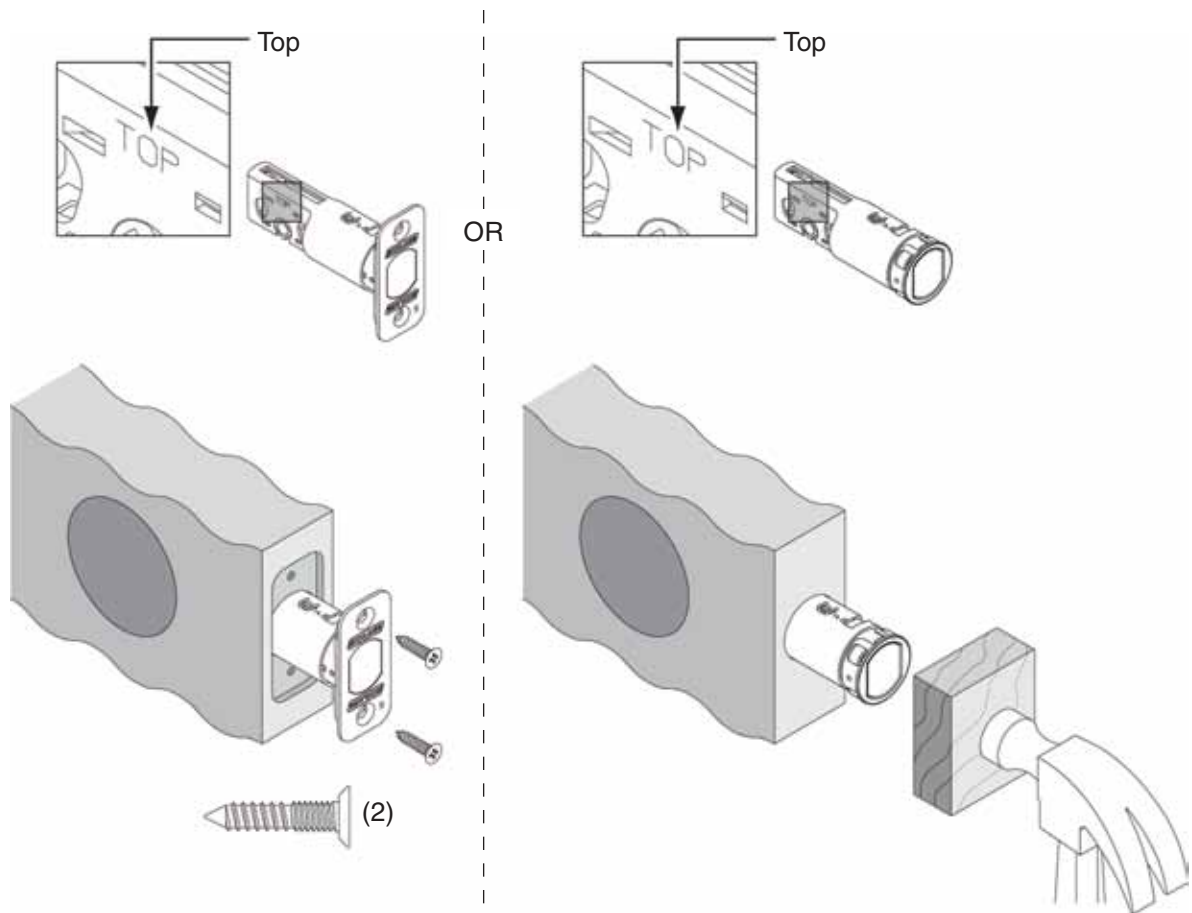


OR



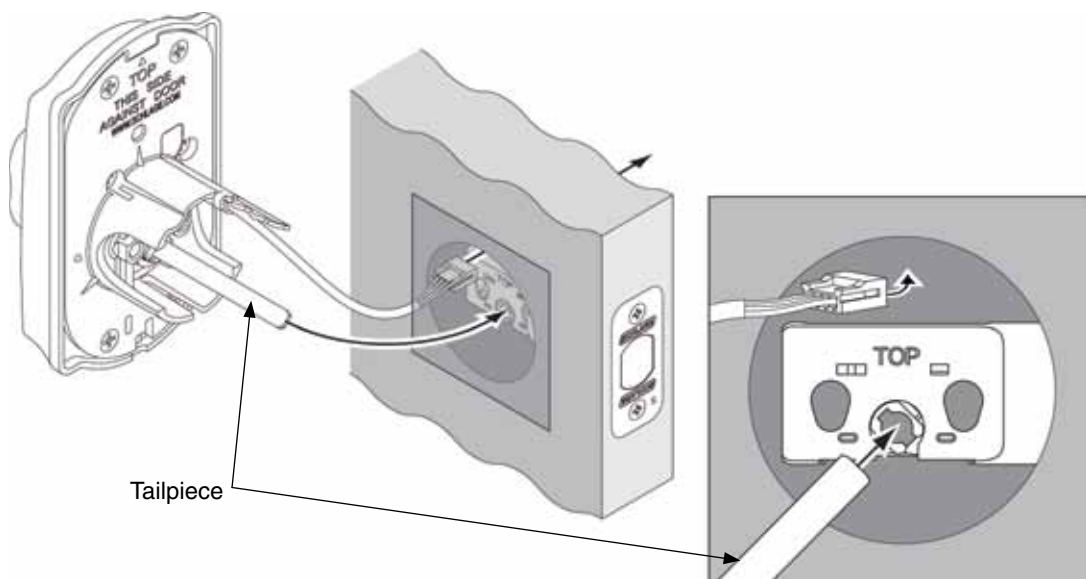
5 Install Bolt

The word "TOP" should be facing upward as shown below.



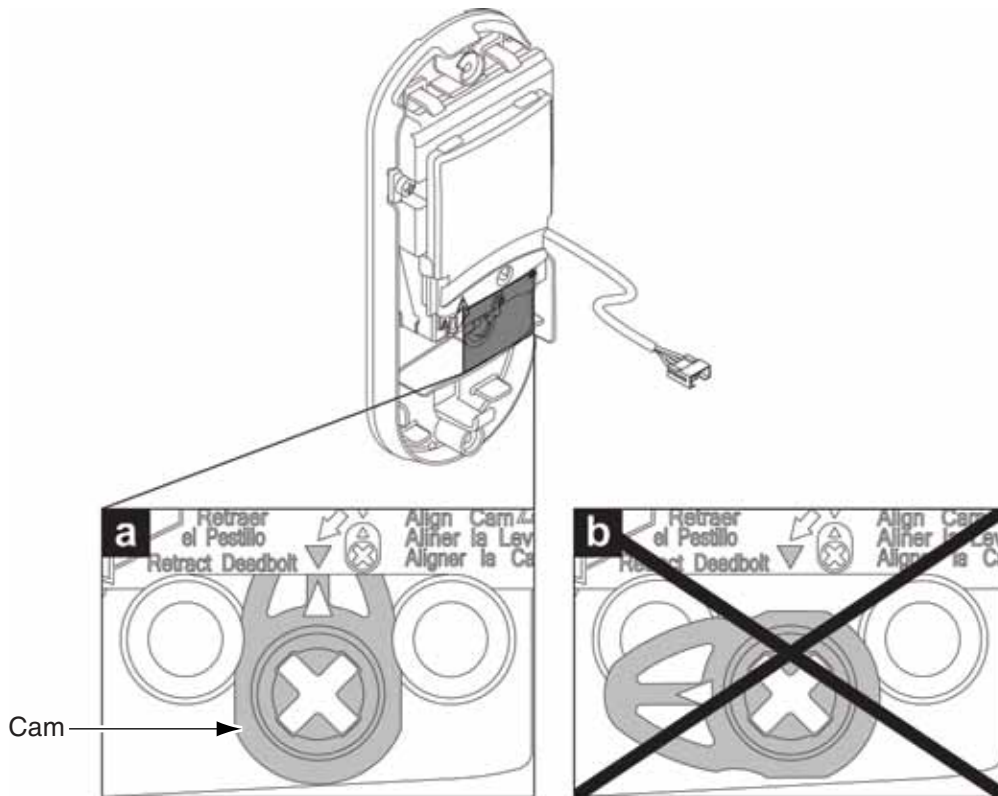
6 Install the Keypad

Feed the cable over the top of the bolt assembly as shown below. Then slide the tailpiece through the correct hole as shown below.



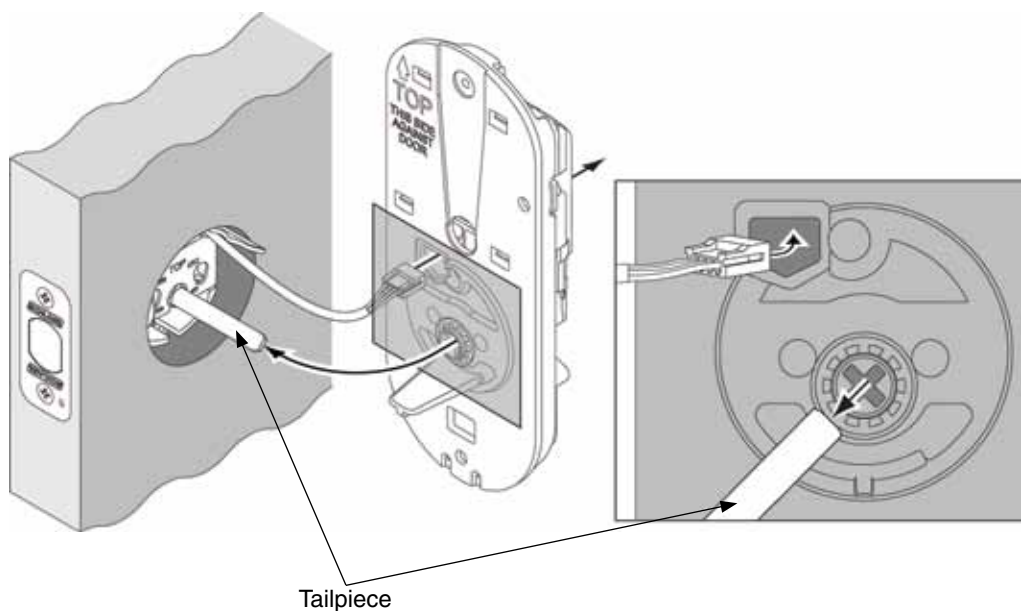
7 Check the Cam on the Baseplate

Locate the cam on the baseplate. This cam has a small arrow on it that should point to the arrow that is printed on the casing above the cam, like picture "a" below. If the cam is oriented sideways, like the picture "b", rotate the cam until the arrows match.



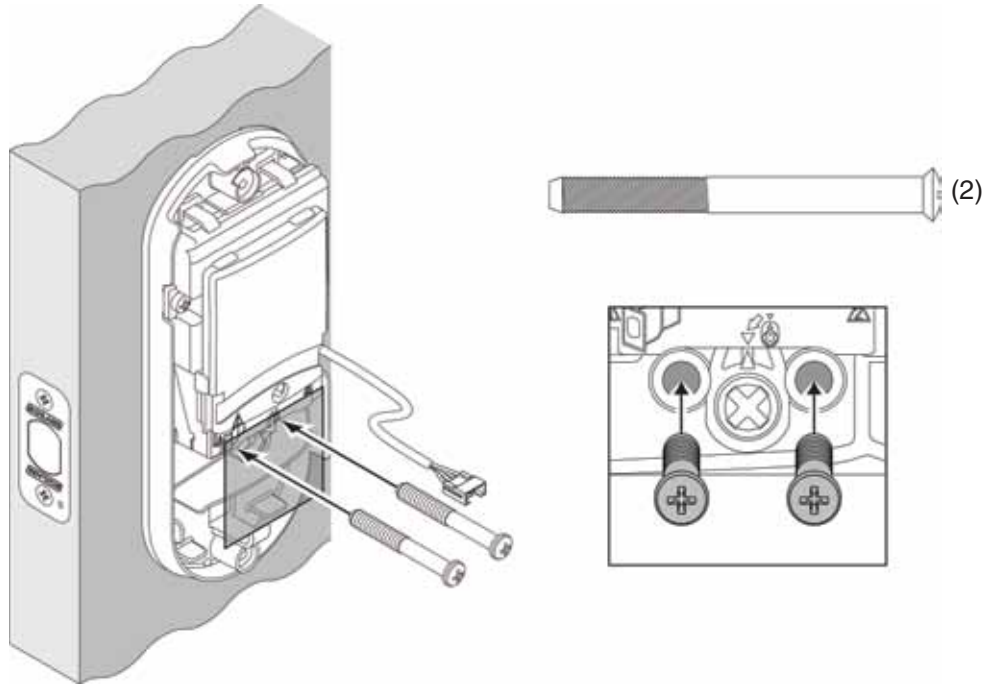
8 Install the Baseplate

Feed the cable through the hole as shown below. **DO NOT connect the cable at this time.** Then slide the baseplate onto the tailpiece and press against the door. The baseplate should stay in place.



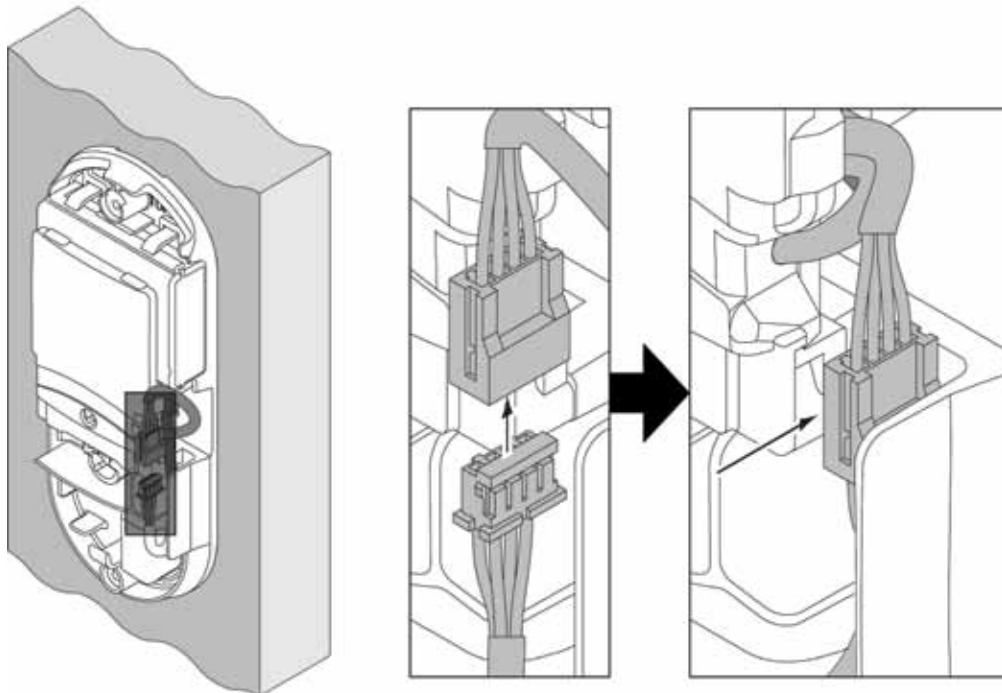
9 Secure the Baseplate to Door

Use the two screws shown to secure the baseplate to the door.



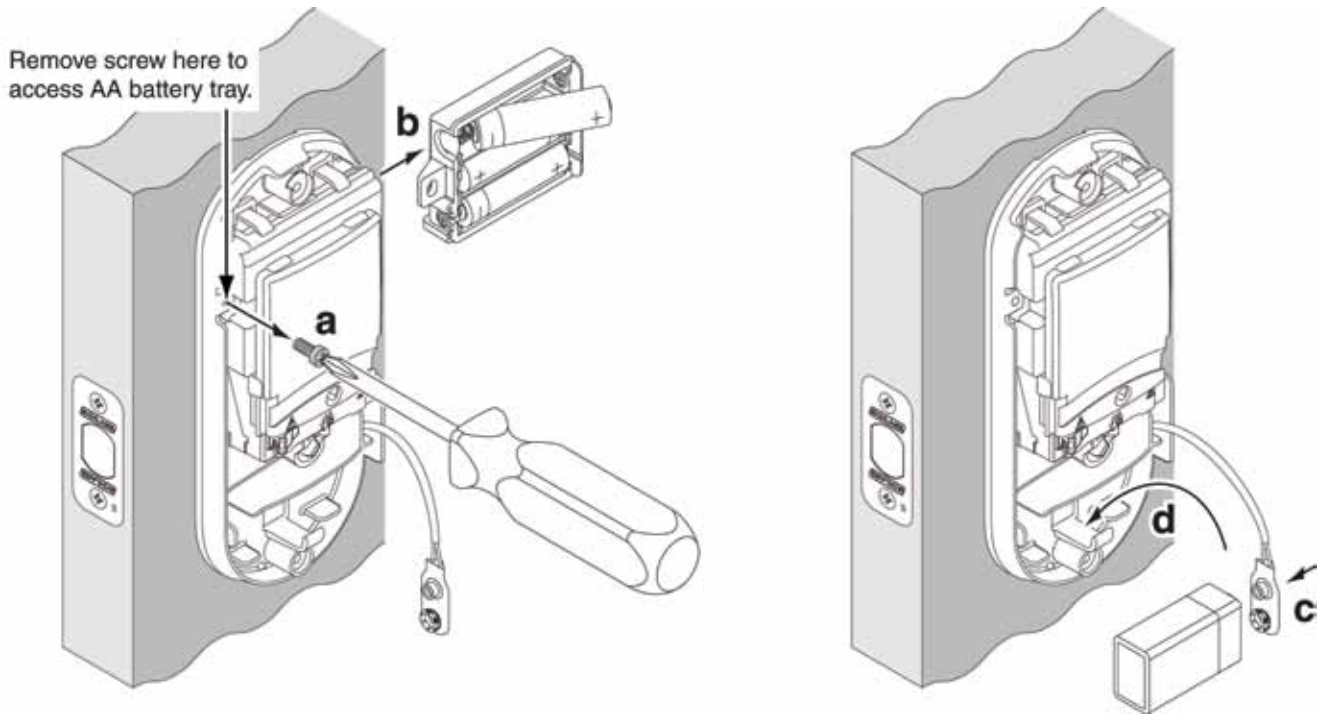
10 Connect the Cable

Snap the connectors together. Tuck them into the open space in the baseplate. Make sure no wires will be pinched when the cover is installed.



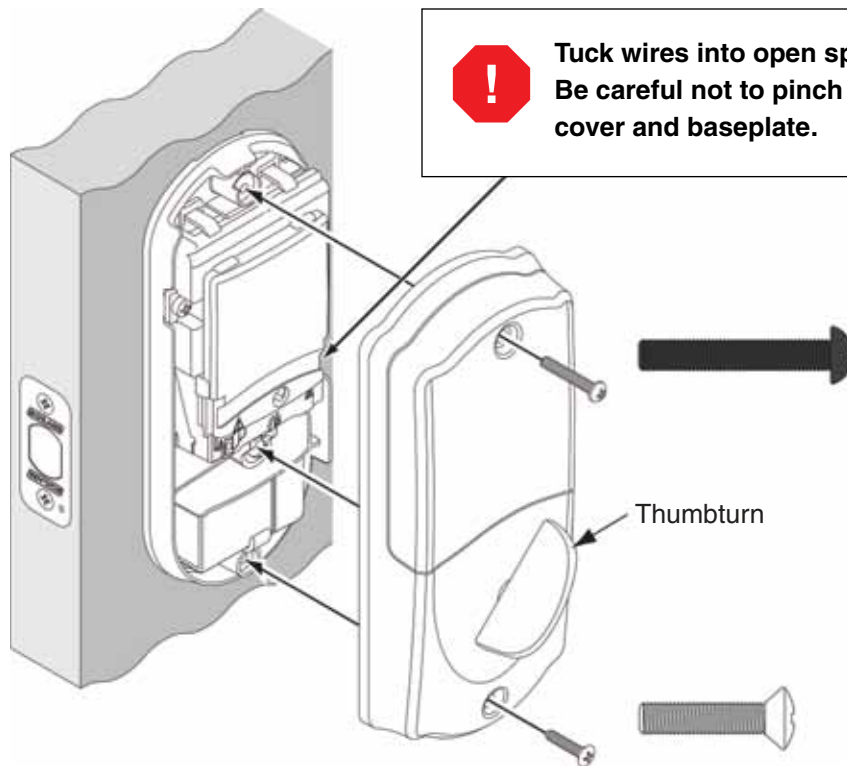
11 Install the Batteries

There are two sets of batteries. Install both the 9V and the AA batteries.



12 Install the Cover

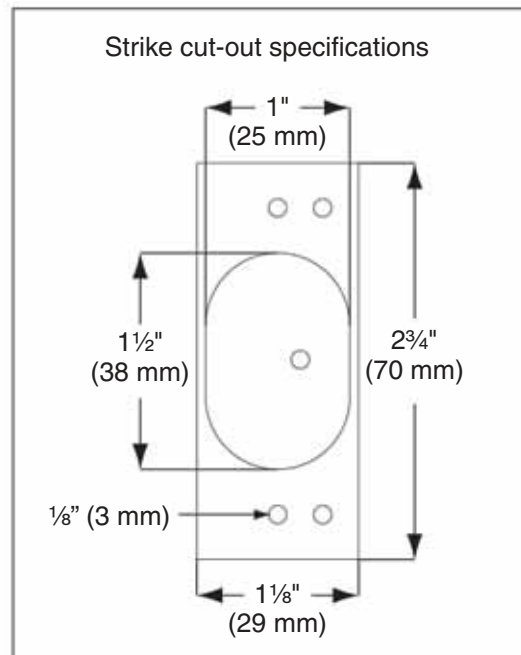
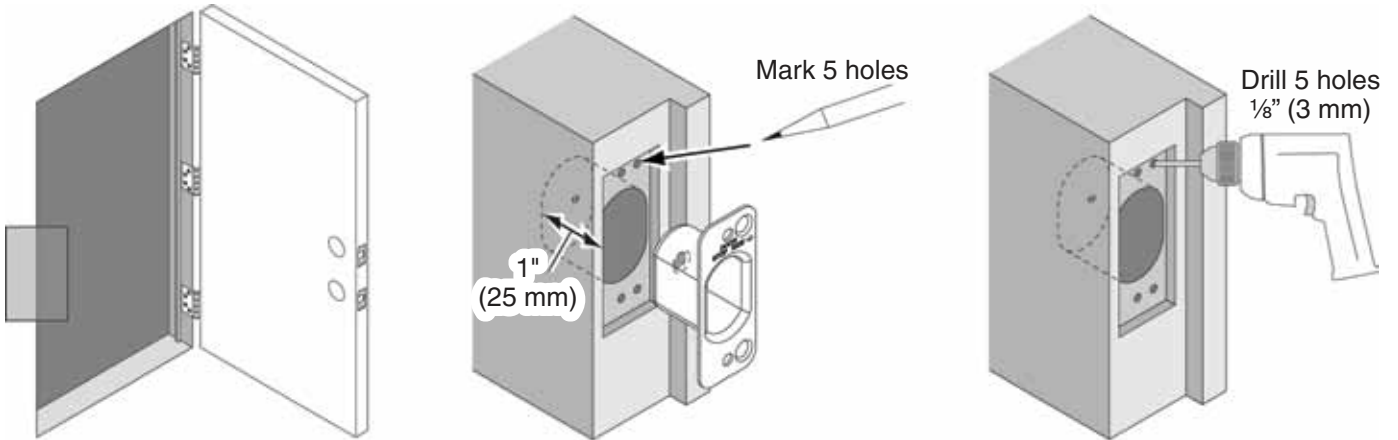
Place the cover against the door and secure using the two screws. You may need to rotate the thumbturn to the proper position, shown below. Note that the top screw is longer and painted black.



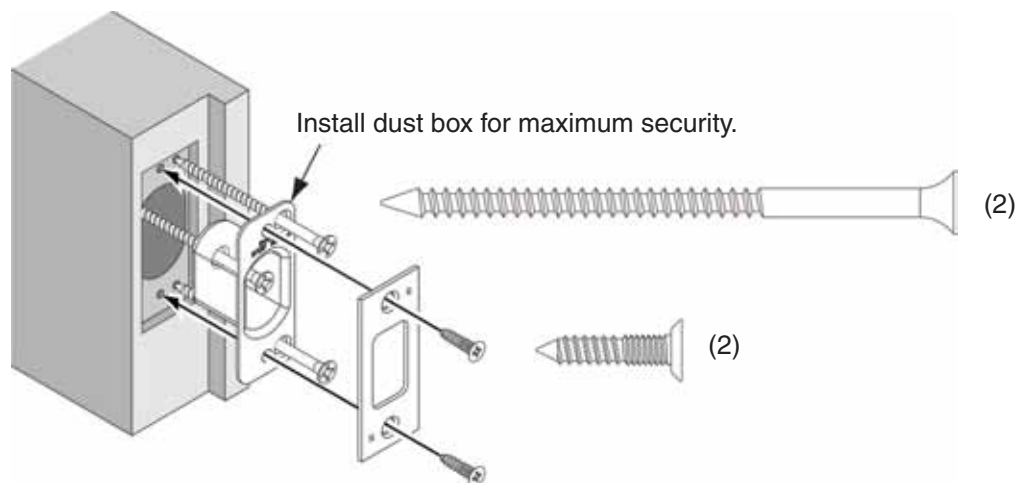
13 Prepare the Frame for the Strike

Place the dust box inside the strike hole and mark the 5 hole locations. Drill them as shown.

If the strike cut-out has not been prepared in the frame, see the "Strike cut-out specifications" box.



14 Install the Strike

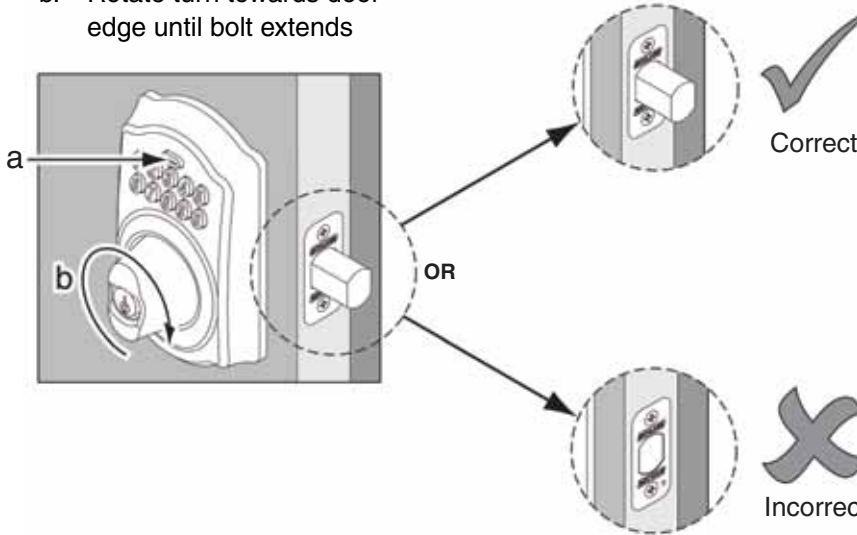


15 Test Locking Function

Make sure that the bolt extends as shown in the “correct” drawing below.

! Test with door open to avoid being locked out!

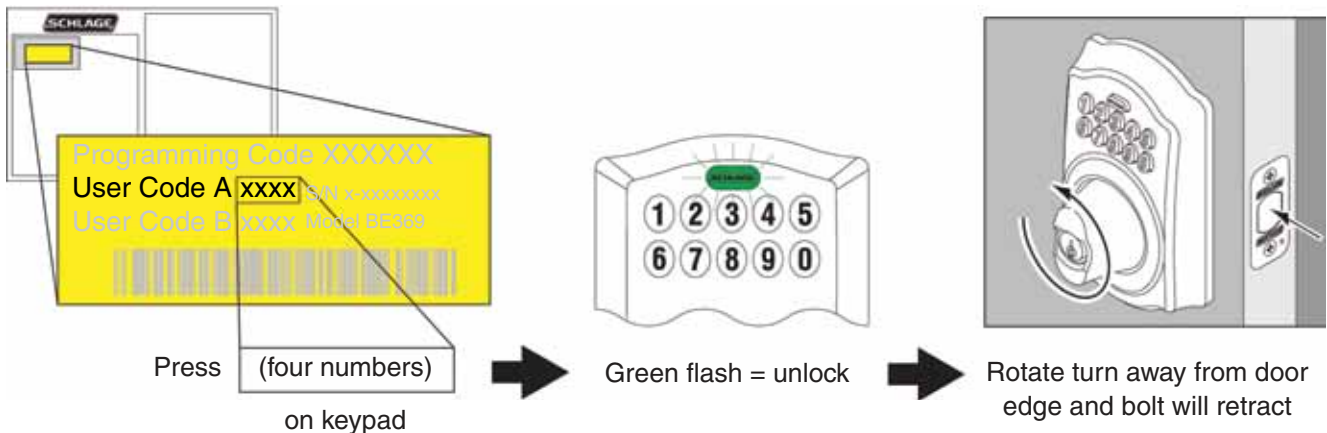
- Press 
- Rotate turn towards door edge until bolt extends



If bolt does not extend, remove lock from door. Follow steps 5-10 to reinstall lock. Pay special attention to step 7. The cam orientation is the most likely source of a problem.

16 Test Unlocking Function

! Test with door open to avoid being locked out!



17 This portion of the setup is complete.

Follow the directions on document **2** to continue setup.

Document 2 is located at part2.schlage.com.

This device complies with part 15 of the FCC rules. Operation is subject to the following two conditions: (1) This device may not cause harmful interference, and (2) this device must accept any interference received, including interference that may cause undesired operation.

Changes or modifications to this equipment not expressly approved by Schlage could void the user's authority to operate the equipment.

FCC ID: P2GBE369

IC: 7654A-BE369

PATENT NOTICE

Schlage® products and those of its subsidiary companies and licensees may be covered by both issued and pending U.S. and foreign patents, copyrights and trademarks. Manufactured items are covered by one or more of the following patents:

5070715	5765412	6523375	D372417	D458829
5152558	5769472	6533336	D372854	D467155
5308131	5809816	6540274	D406056	D472788
5395144	5816086	6581426	D406528	D487388
5593193	5820290	6802546	D426452	D520331
5598726	5881590	6905773	D428324	D520332
5640863	5918916	6926319	D450558	D537702
5683127	6286347	7143477	D457048	D541620
5715717	6297725	7159424	D457049	D543435