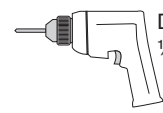
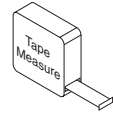
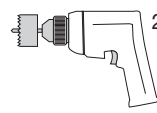


Tools Needed

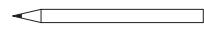


Drill Bits Needed:
1/8", 7/8", 1"



2 1/8" Hole Saw

Pencil

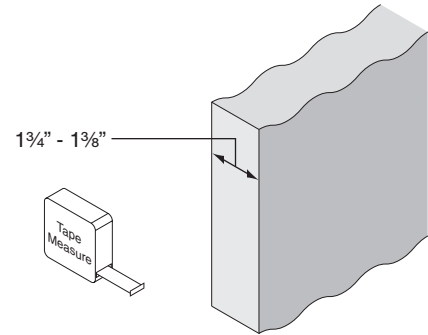


Chisel

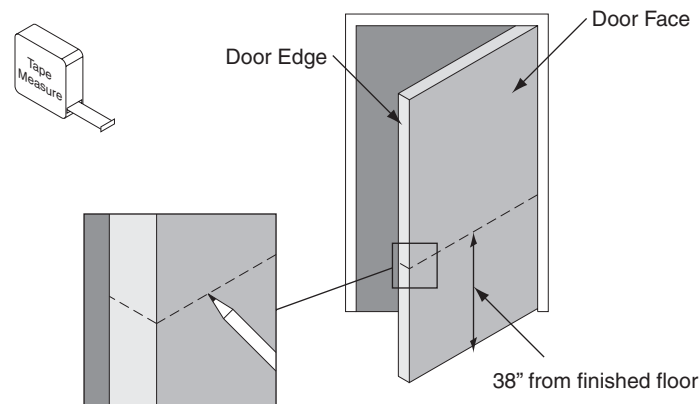


1 Measure Door Width

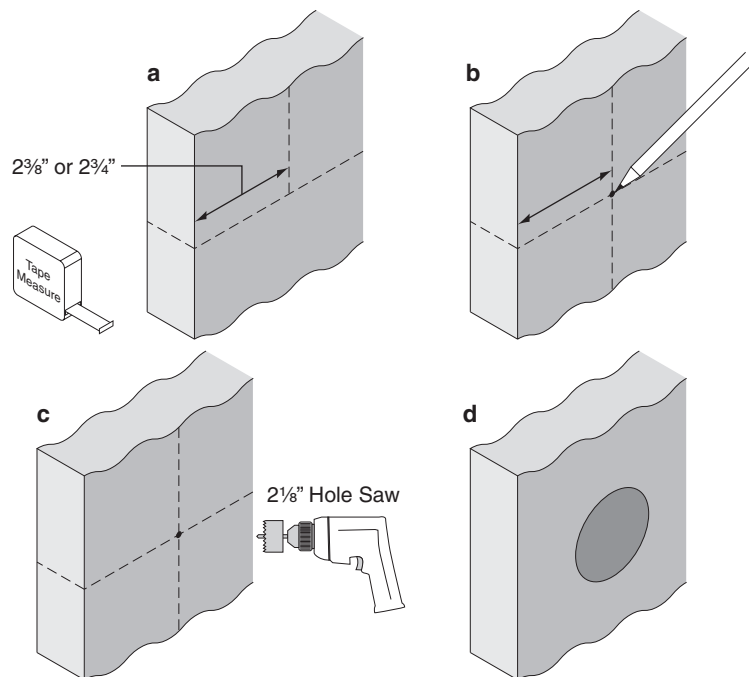
If the door is thinner than 1 3/8" or thicker than 1 3/4", then the lock will not fit properly on the door.



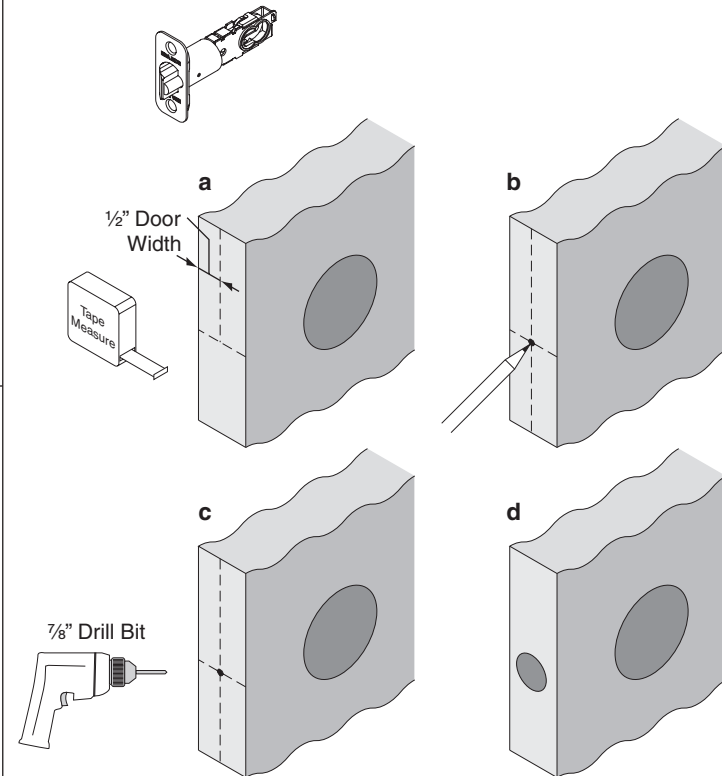
2 Mark Lock Centerline on Door Face and Door Edge



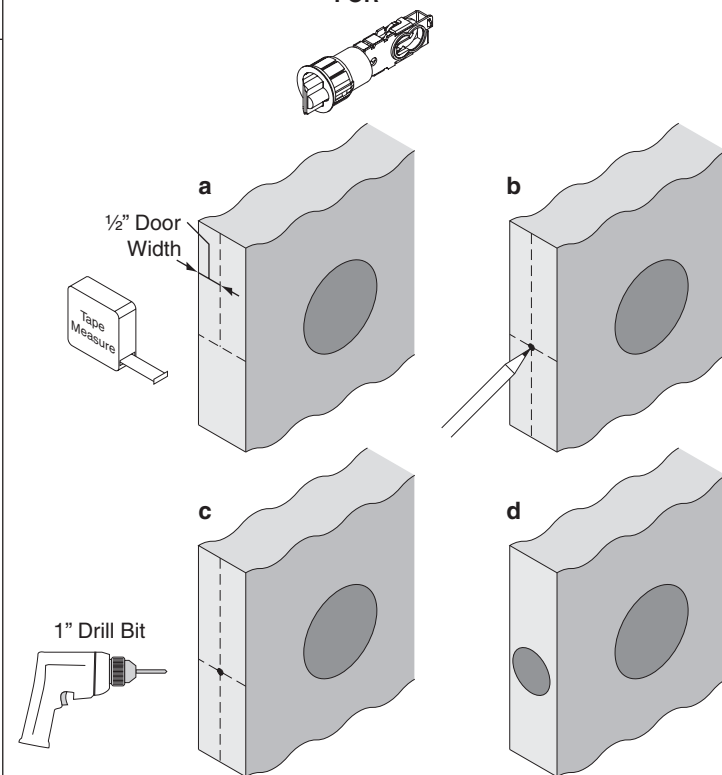
3 Mark and Drill Hole in Door Face with 2 1/8" Hole Saw



4 Mark and Drill Hole in Door Edge

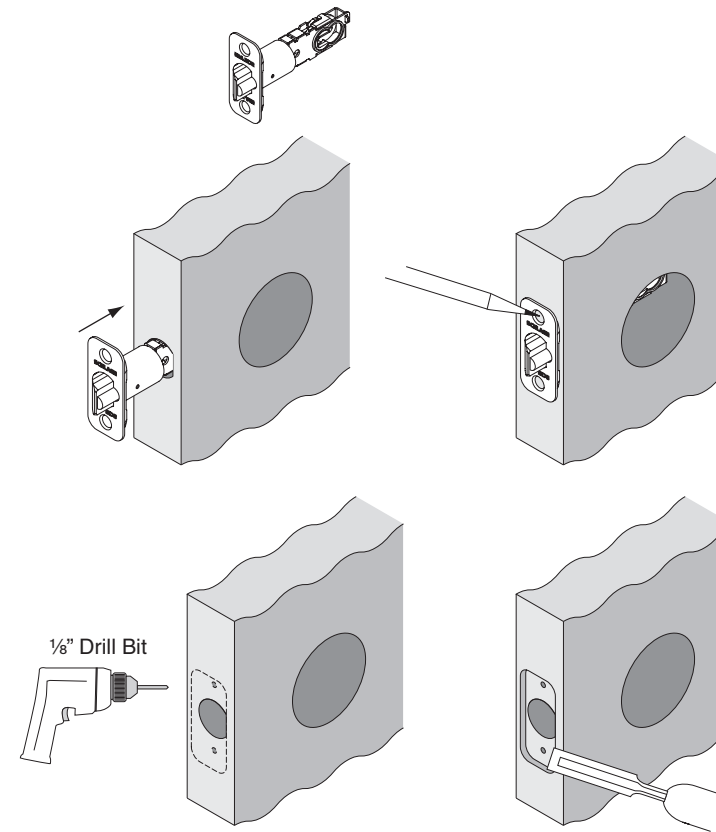


OR
FOR

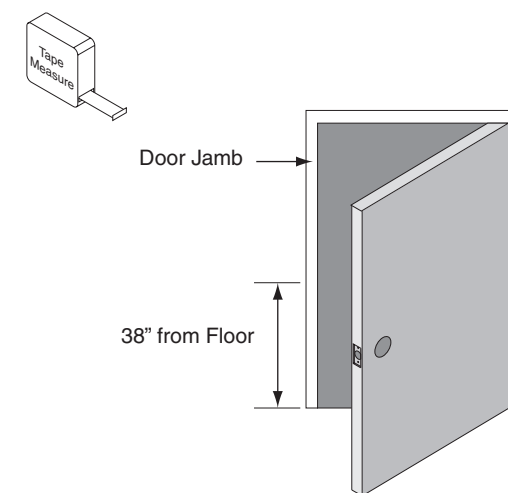


5 If Necessary, Mortise for Latch

- Insert latch into door edge hole.
- Use pencil to trace latch and mark holes.
- Remove latch and drill two 1/8" pilot holes.
- Use chisel to create latch mortise.



6 Measure Door Jamb for Strike



7 Mark and Drills Holes for Strike

- Measure 38" from finished floor and mark on door jamb.
- Mark center for strike hole exactly opposite latch hole.
- Drill 1" hole, 1/2" deep.
- Line up strike with hole in door jamb.
- Use pencil to trace strike and mark holes.
- Drill two 1/8" pilot holes and use chisel to create strike mortise.

