



SCHLAGE LiNK™

FE599 Lever Lock Installation Instructions



Important Information

Lock Programming Code

six (6) digits

User Code A

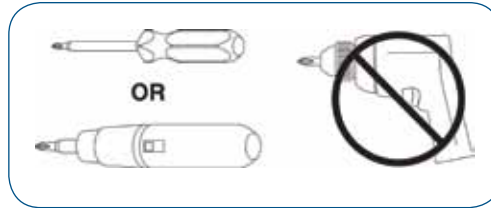
four (4) digits

User Code B

four (4) digits

Web Support: part2.schlage.com

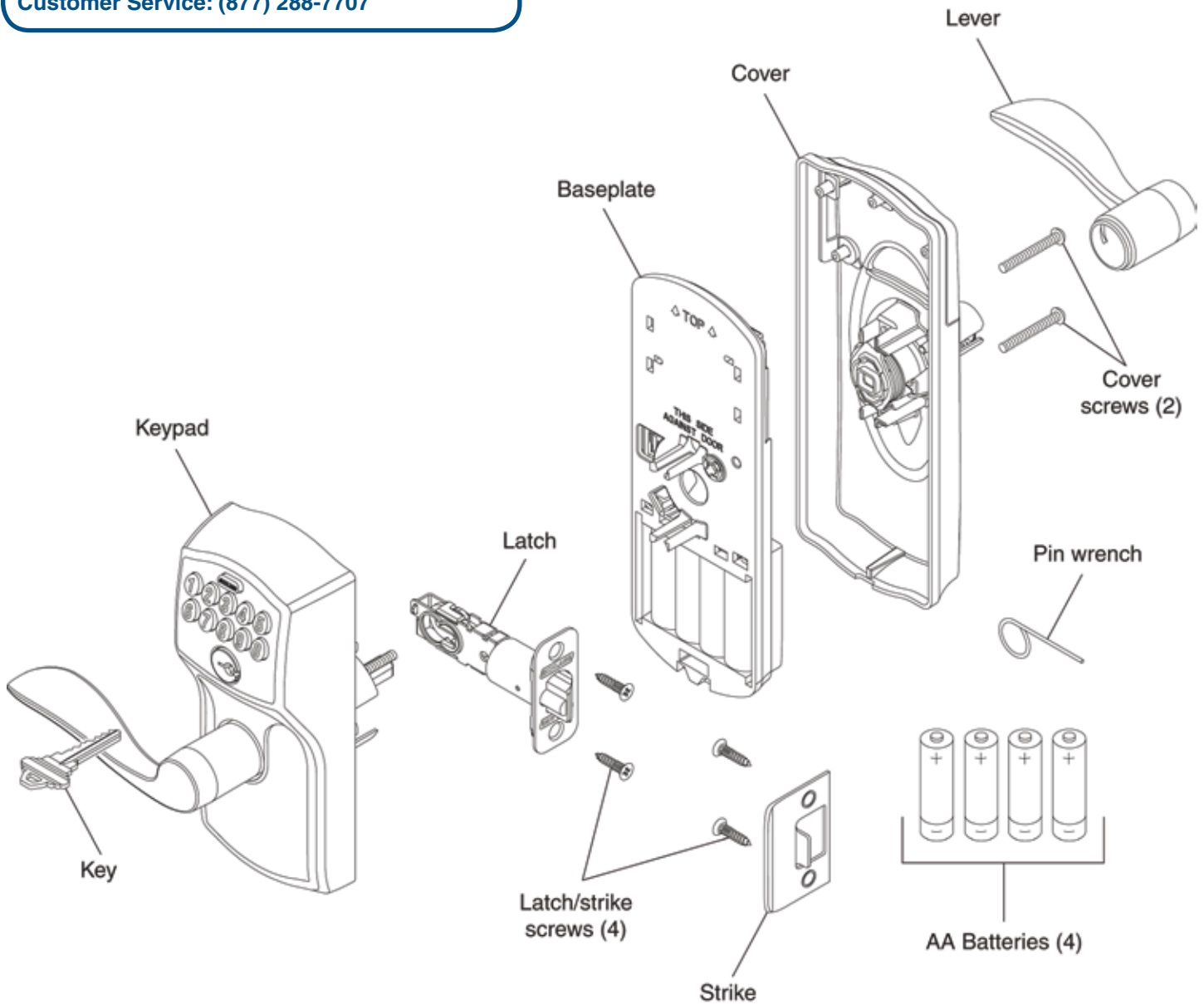
Customer Service: (877) 288-7707



OR

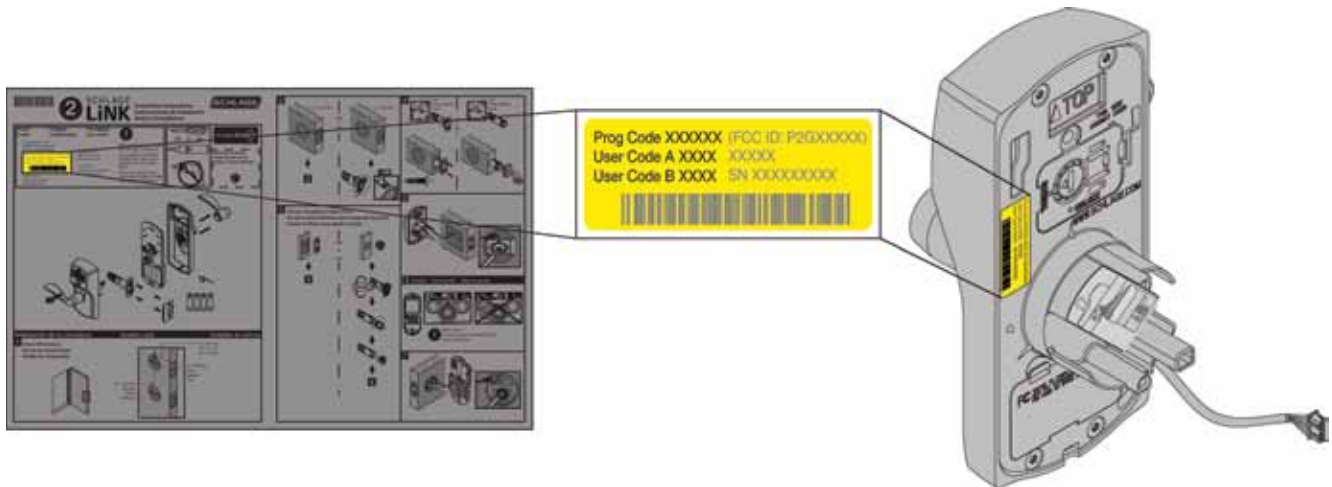


Alternate
Faceplate



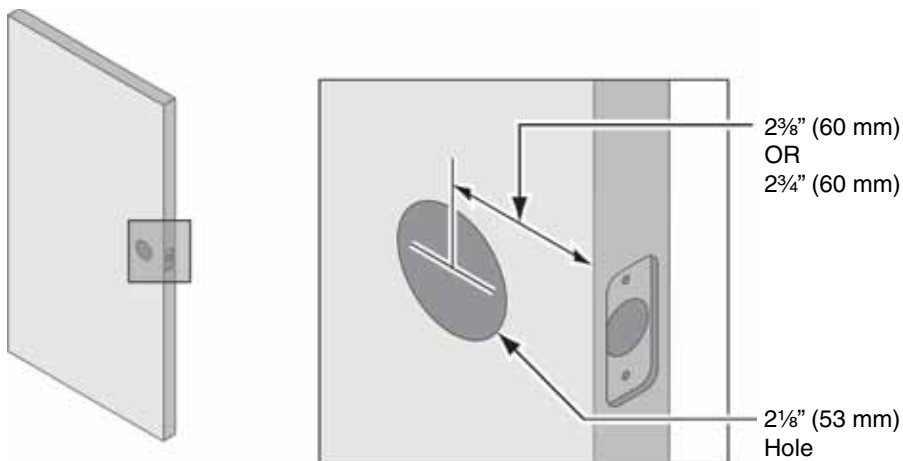
1 Locate Programming Code and Preset User Codes

The programming code and the preset user codes are printed on the yellow stickers located on the back of the keypad and on the installation sheet that came in the box. Write these codes in the space provided on the first page.

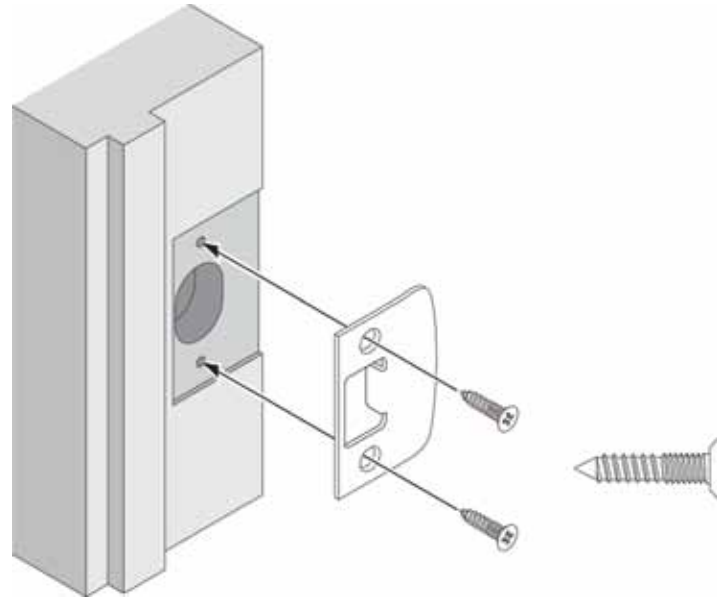


2 Check Door Dimensions

If your door does not match the dimensions shown, go to www.part2.schlage.com for instructions on how to prepare your door.

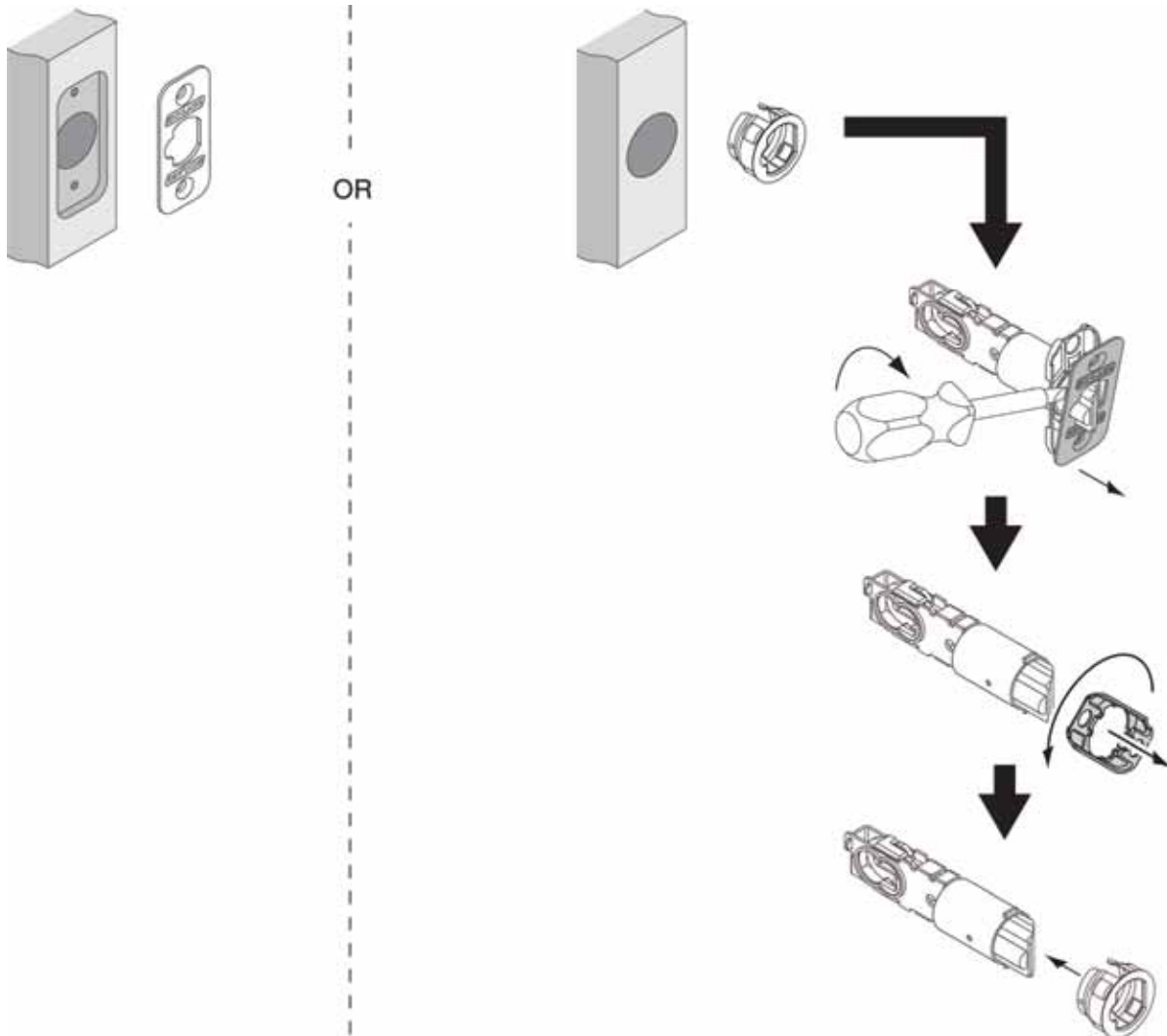


3 Install Strike Into Frame



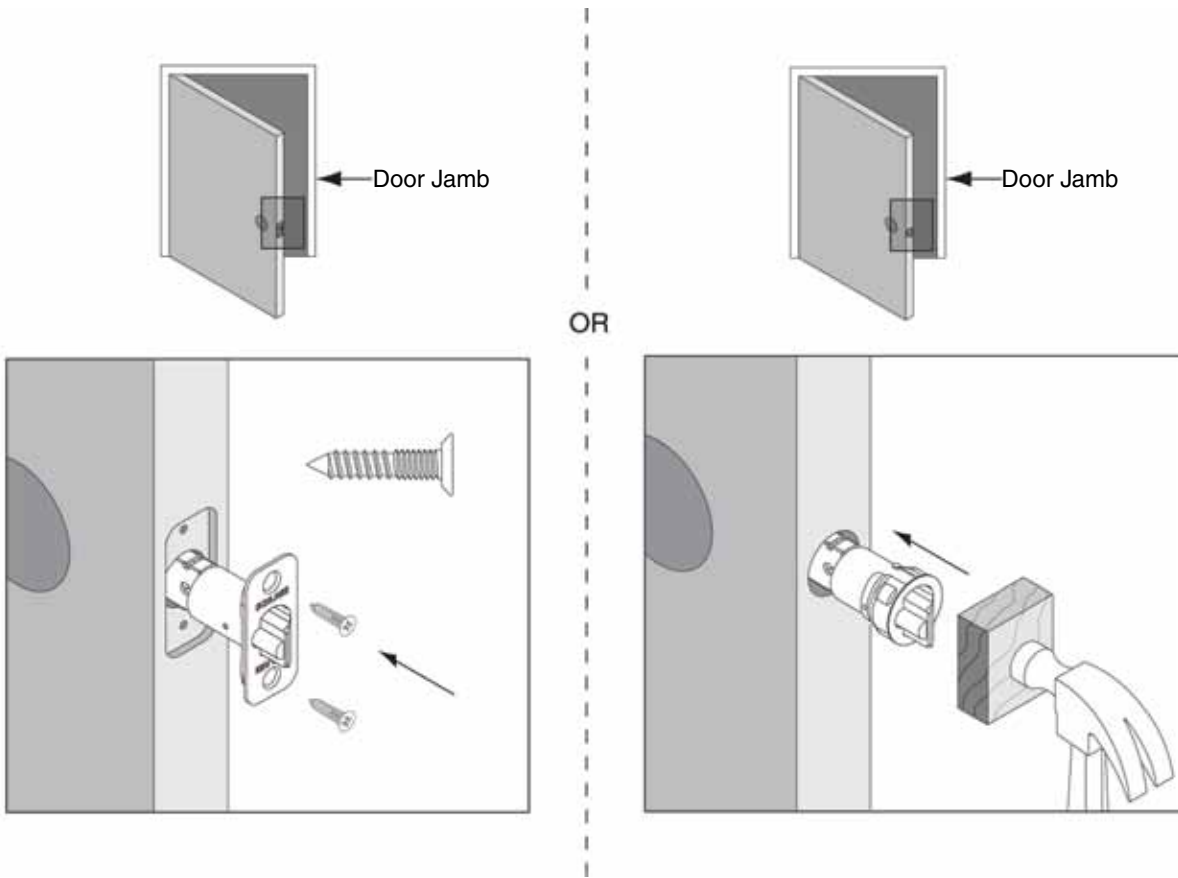
4 If Necessary, Change Latch Faceplate

Check edge of door to determine the type of faceplate required.

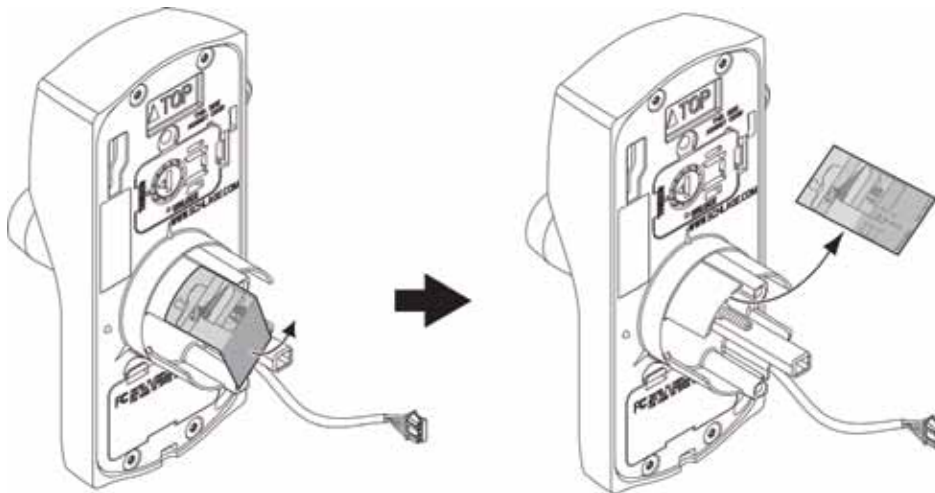


5 Install Latch

Latch must be flipped so that bevel faces toward door jamb.

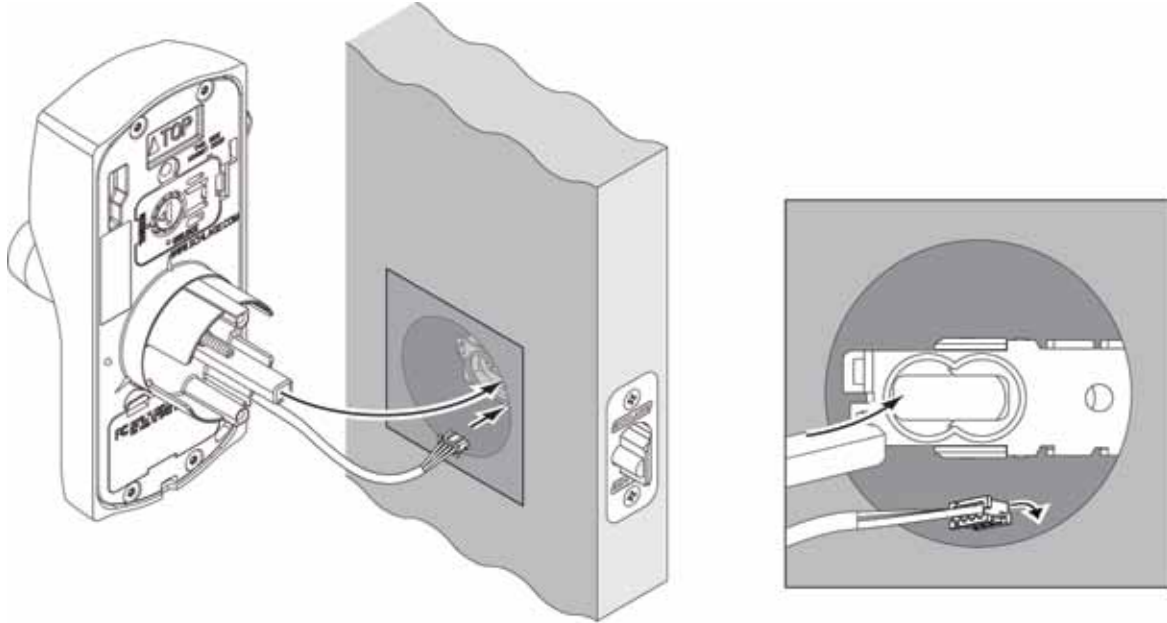


6 Remove Sticker from back of Lock



7 Install the Keypad

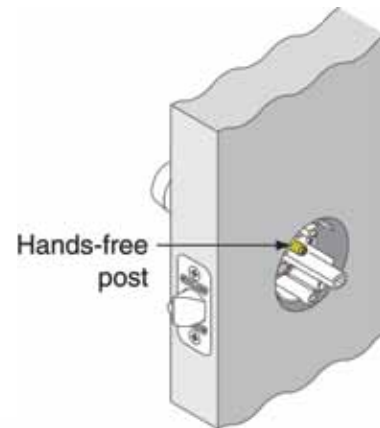
Feed the cable under latch assembly as shown below. Then slide the tailpiece through the hole as shown below.



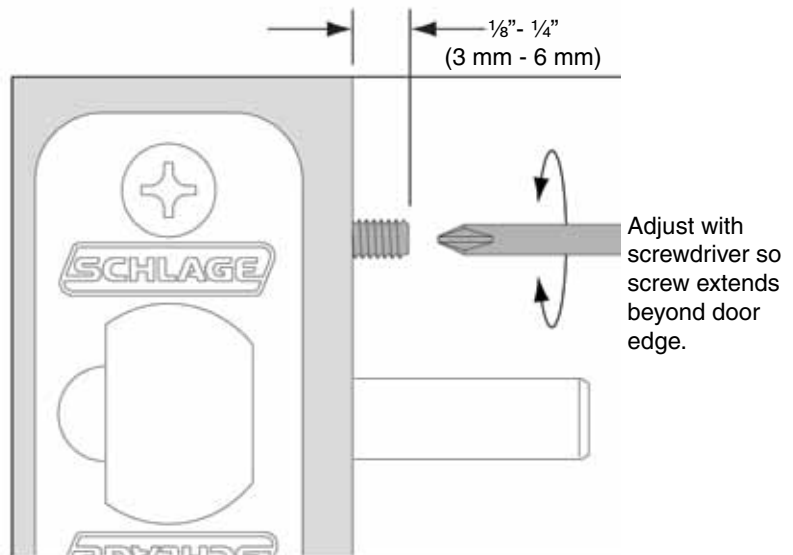
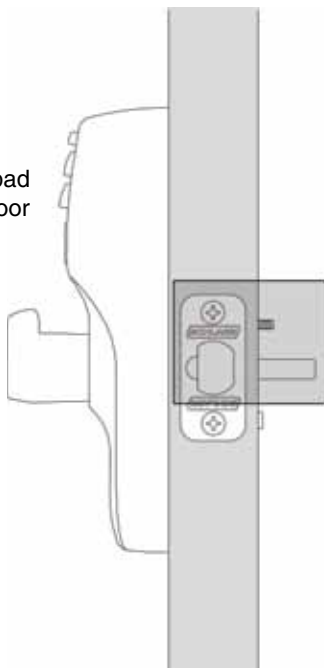
8 Adjust Hands-free Post

The hands-free post is the threaded stud on back of lock. It's purpose (in step 10) is to attach the lock and baseplate together so that the lock will hold itself on the door.

Hands free post may need to be adjusted with a screwdriver to the dimensions shown below.

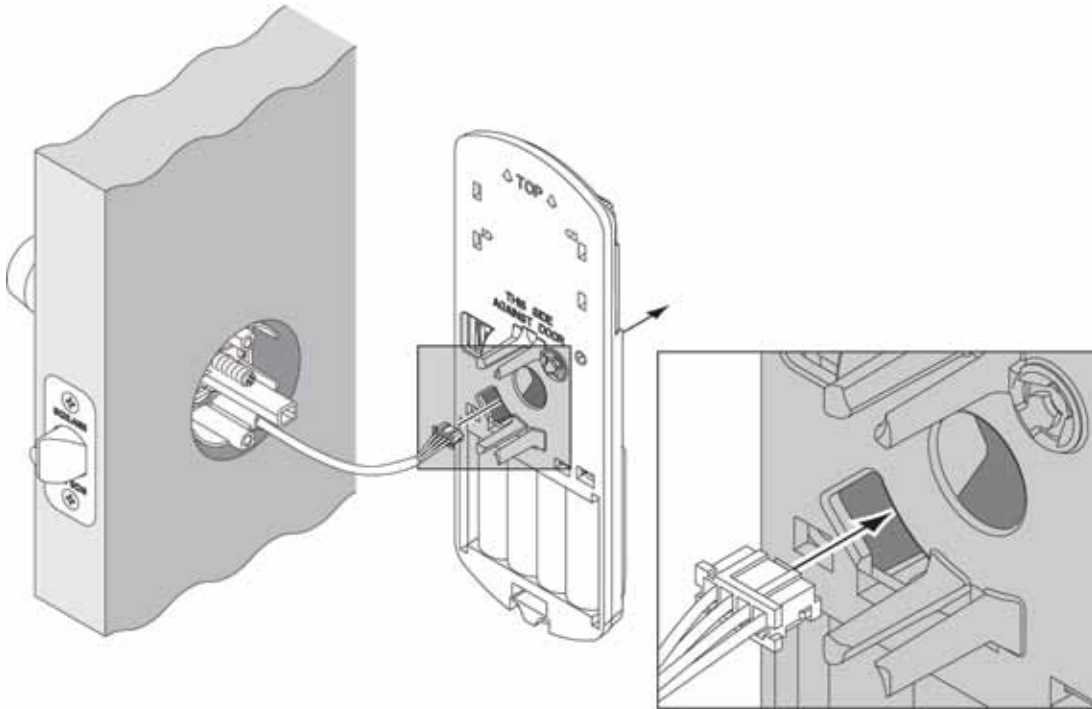


Hold keypad against door



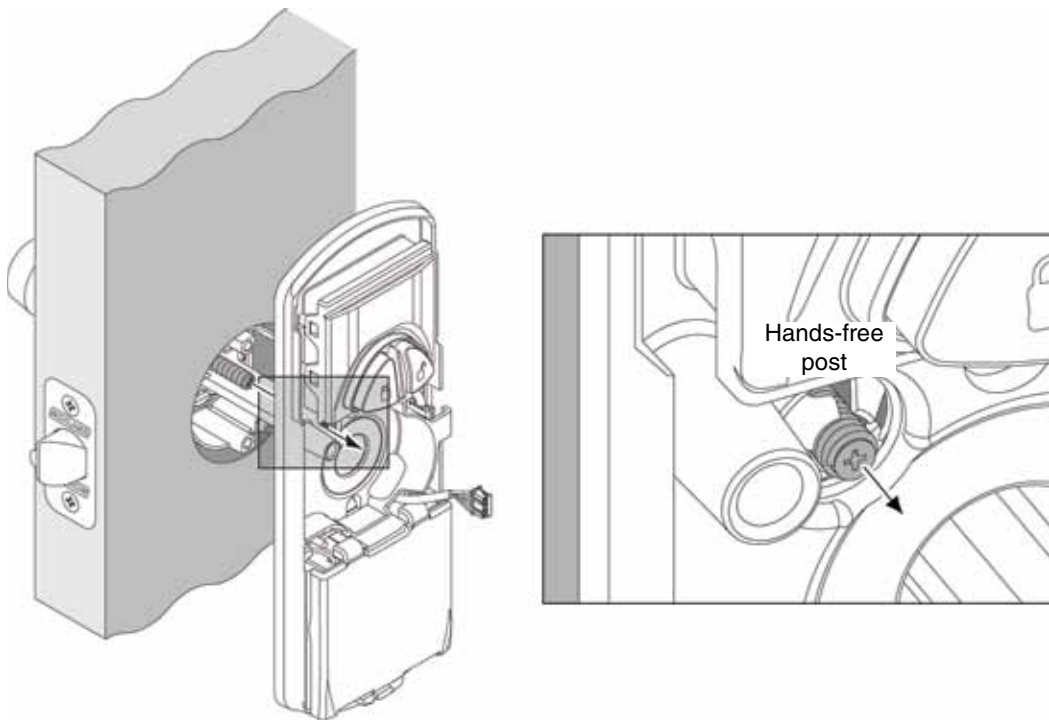
9 Feed Cable through Baseplate

Feed the cable through the hole as shown below. **DO NOT** connect the cable at this point.



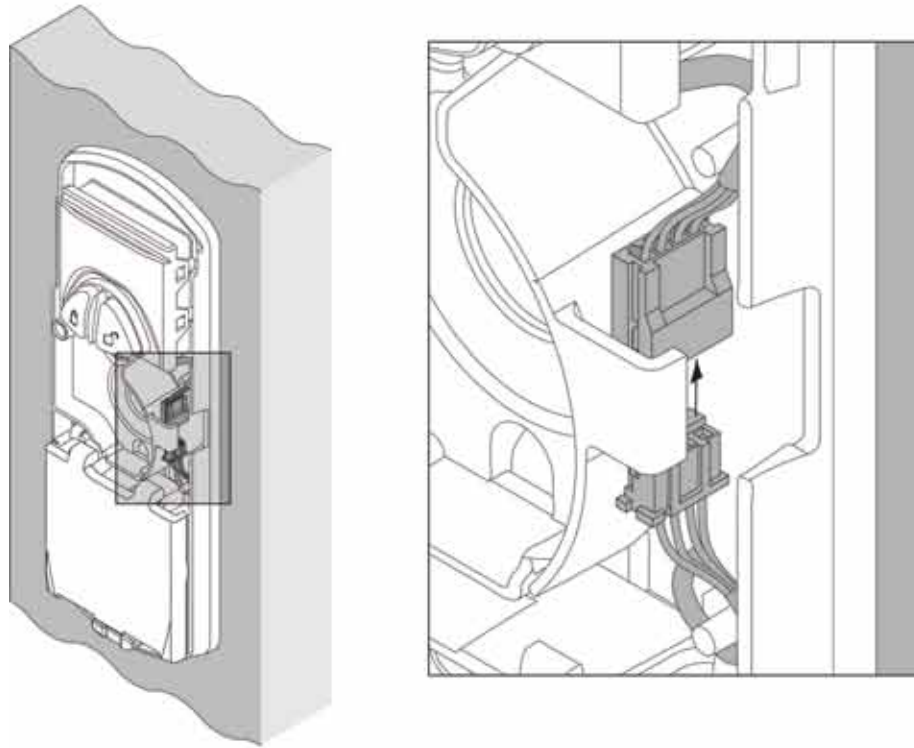
10 Slide Baseplate onto Door over Hands-free post

Hands-free post should lock plate against door surface. If hands-free post does not lock plate onto door, see step 8 for adjustment.

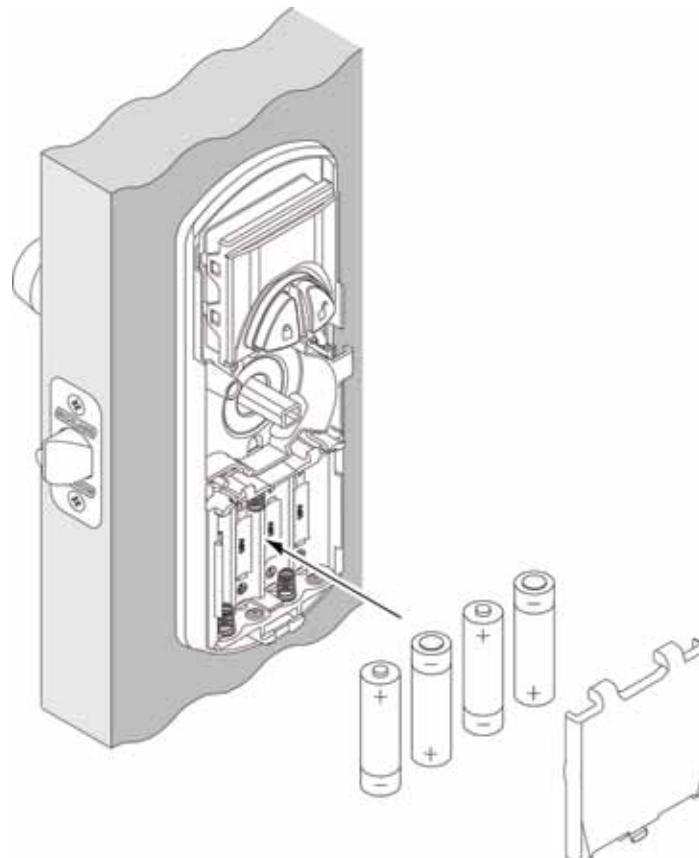


11 Connect the Cable

Snap the connectors together.

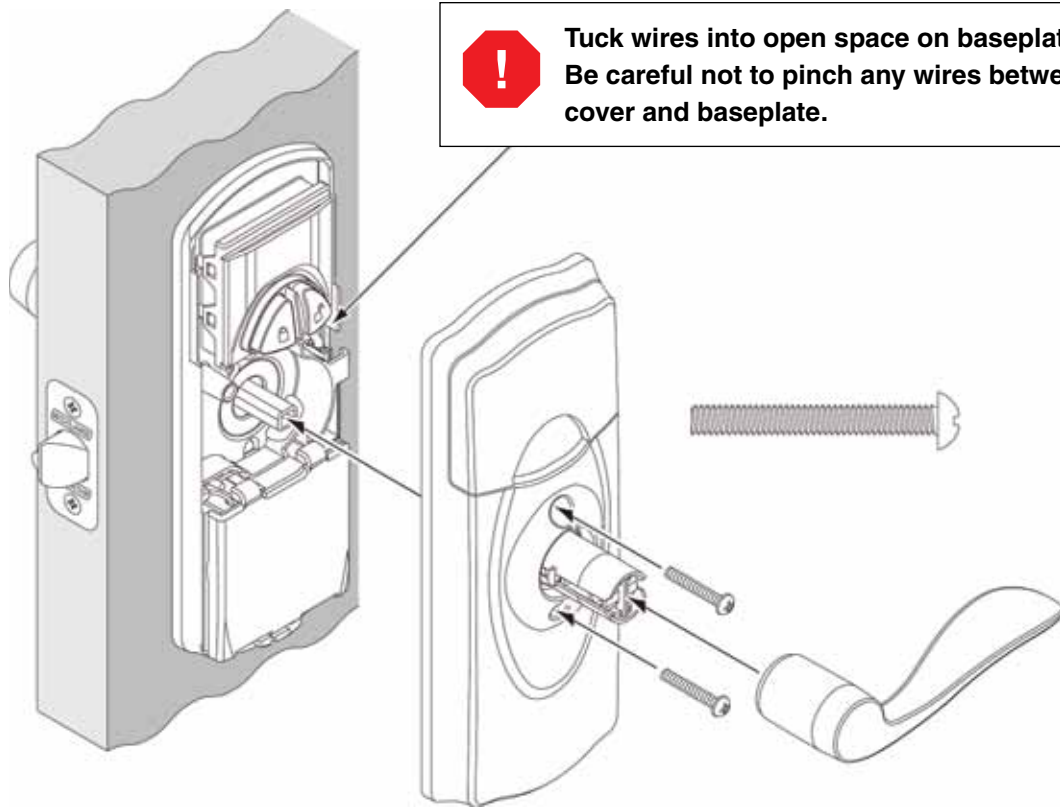


12 Install Batteries and Battery Cover



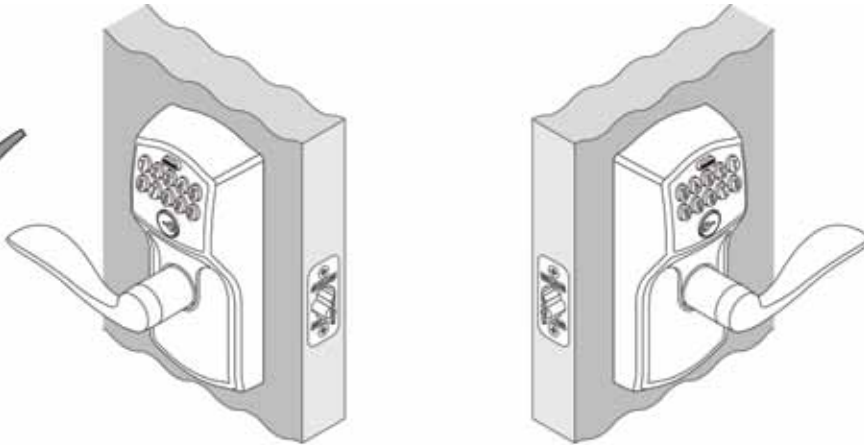
13 Install Cover and Lever

See step 14 on the next page to verify that the lever is handed correctly to match your door. If the lever does not snap into place easily, you may have to tap the lever with a hammer using a piece of wood to cushion it. Be careful not to damage the finish of the lever.

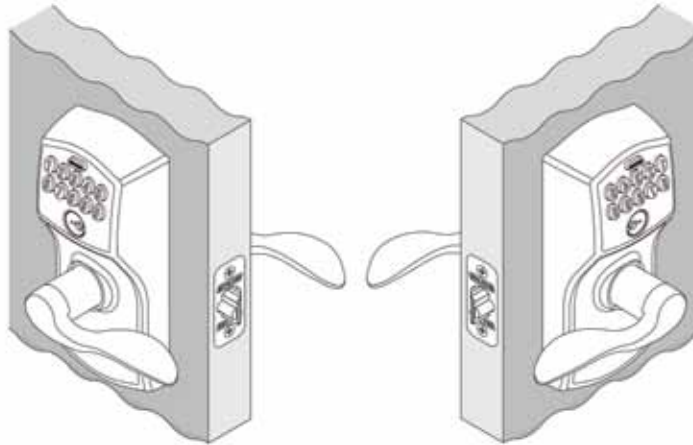


14 Check Handing of Lever

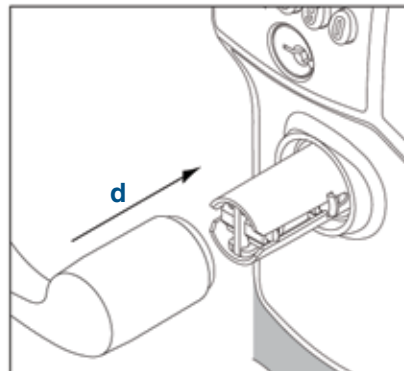
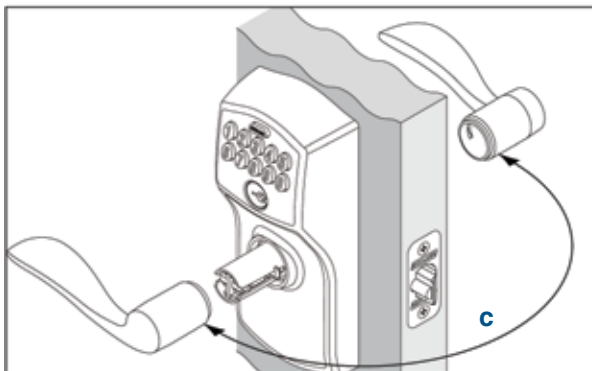
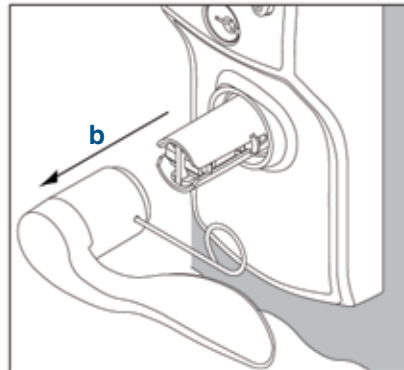
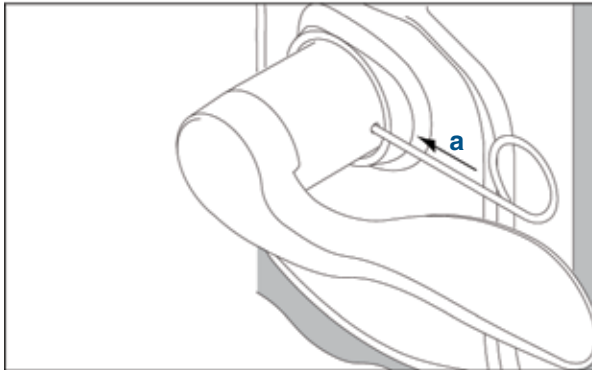
✓
Correct
Go to step 15



✗
Incorrect
See steps below to
change lever handing



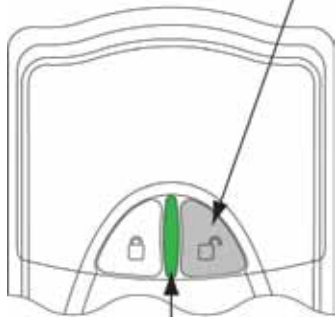
To Change Lever Handing



15 Test Locking and Unlocking from the Interior

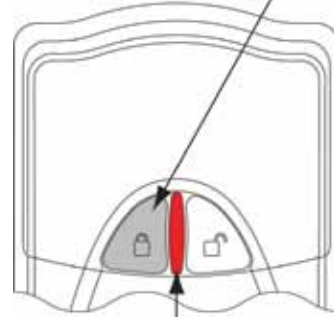
! Test with door open to avoid possibly being locked out!

To Unlock, Press Button



Green light
(indicates unlocked)

To Lock, Press Button

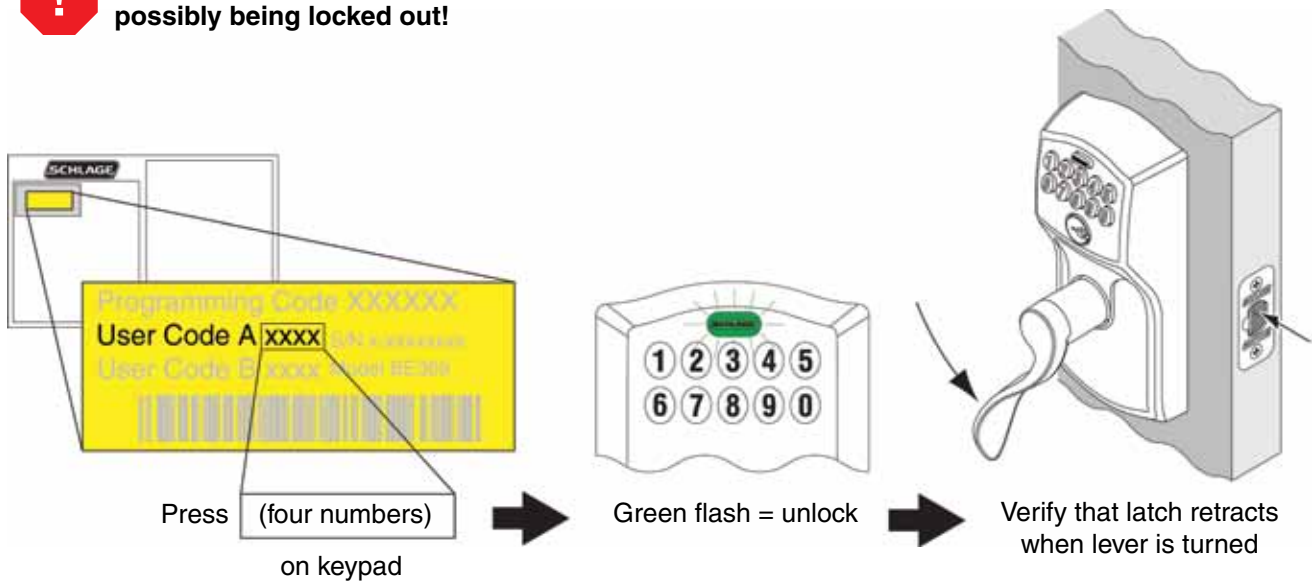


Red light
(indicates locked)

16 Test Outside Entry (When Door is Locked)

When you press your User Code (four numbers) on the keypad, the door will unlock for 5 seconds, allowing entry.

! Test with door open to avoid possibly being locked out!



17 This portion of the setup is complete.

Follow the directions on document **2** to continue setup.
Document 2 is located at part2.schlage.com.

FCC Notice

This device complies with part 15 of the FCC rules. Operation is subject to the following two conditions: (1) This device may not cause harmful interference, and (2) this device must accept any interference received, including interference that may cause undesired operation.

Changes or modifications to this equipment not expressly approved by Schlage could void the user's authority to operate the equipment.

FCC ID: P2GFE599

IC: 7954A-FE599

PATENT NOTICE

Schlage® products and those of its subsidiary companies and licensees may be covered by both issued and pending U.S. and foreign patents, copyrights and trademarks. Manufactured items are covered by one or more of the following patents:

5070715	5765412	6523375	D372417	D458829
5152558	5769472	6533336	D372854	D467155
5308131	5809816	6540274	D406056	D472788
5395144	5816086	6581426	D406528	D487388
5593193	5820290	6802546	D426452	D520331
5598726	5881590	6905773	D428324	D520332
5640863	5918916	6926319	D450558	D537702
5683127	6286347	7143477	D457048	D541620
5715717	6297725	7159424	D457049	D543435