



P516-485

Door/Window Sensor Installation Instructions

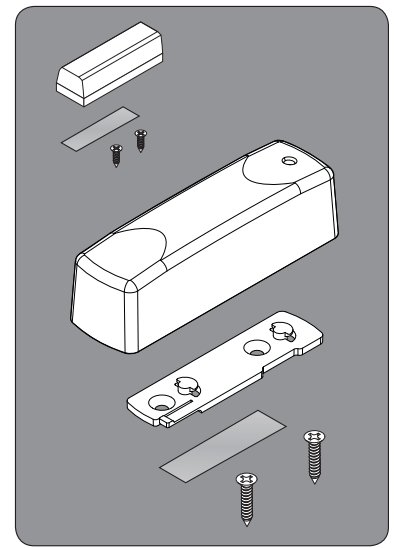


Product Overview

- Z-Wave™ enabled device which provides open/closed position status
- Transmits open/closed status
- Reports tamper condition when cover is open
- Battery life approximately 3 years

Product Specifications

- For indoor use only
- Operating frequency: 908.42 MHz
- Operation range: Up to 100 feet (30.5 meters) line-of-sight
- Operating temperature: 0° – 49°C, 32° – 120°F (ambient temperature)
- Battery type required: 3V Lithium CR123A
- Battery life approximately 3 years



Optional Installation Tool



1

Prepare the Nexia Bridge for Enrollment. Choose and follow the easiest option for you shown below.

Battery powered Bridge:

- Disconnect Ethernet and power to the Bridge.
- Install a fresh, high-quality 9-volt battery into the Bridge.
- Move the Bridge to within 6 feet (1.8 meters) of the Sensor. Keep the Bridge in this position during the entire enrollment process.

AC powered Bridge:

- Move the Sensor to the Nexia Bridge for enrollment.
- Keep the Sensor within 6 feet (1.8 meters) of the Nexia Bridge during the entire enrollment process.

For more information, refer to the Nexia Bridge User Guide.

! DO NOT plug in Ethernet or power before enrolling!

2

Activate and Enroll the Sensor

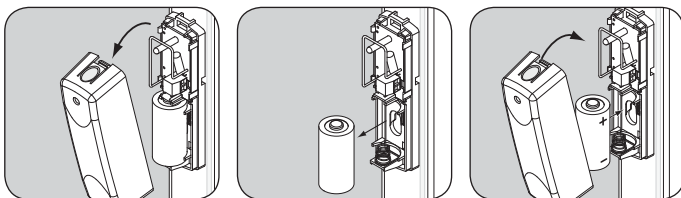
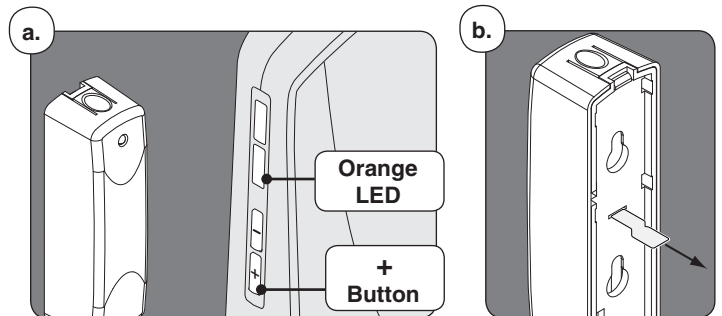
a. Press and release the “+” button on the Bridge. The orange LED will blink slowly to indicate enrollment mode. **The Bridge will remain in enrollment mode for 30 seconds before timeout.**

b. Remove the Sensor’s plastic pull tab to activate battery power and start the Sensor’s enrollment mode. The Sensor’s LED will blink.

! If the plastic tab is already removed, then remove the battery for 10 seconds and replace the battery to restart enrollment mode. (Battery removal process shown below.)

c. The orange LED on the Bridge will blink rapidly when enrollment begins. The Bridge and Sensor LEDs will light solid to indicate successful enrollment.

! If the Bridge LED never blinks rapidly and enrollment mode times out (after 30 seconds), then repeat steps a-c.



Battery removal and replacement

3

Verify the Door/Window Sensor is added to the Nexia Bridge

! Remove the 9-volt battery from the Nexia Bridge, if installed.

- Connect the Bridge to AC power and to your router (ethernet).
- Login to your online Nexia account.
- Click on "Security & Sensors", then "Sensors", then "Setup Device". To change the icon from door to window (or from window to door), click "Setup Device" and choose the appropriate "Sensor Type". (See Figures 1 – 3 below.)
- Move the magnet close to and away from the Sensor to view the portal response. Check that the Nexia portal door or window icon responds appropriately. (Refer to examples below.)

Note: Browser feedback is not immediate. The online display may take 5 seconds to 1 minute to change. Be sure to allow time for the browser to refresh.

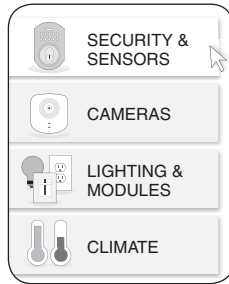


Figure 1

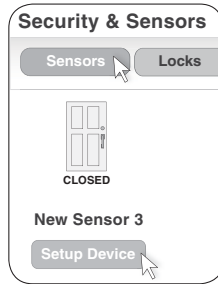


Figure 2

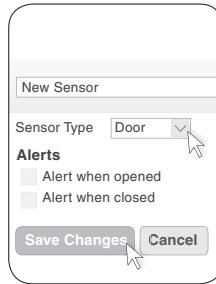
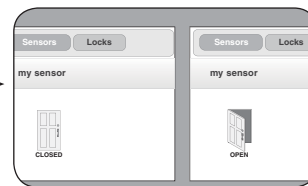
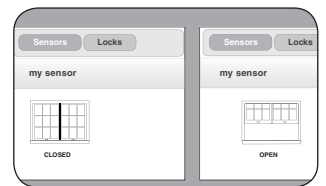


Figure 3



Door Sensor



Window Sensor

4

Test the Tamper Switch (Optional)

- Press the tab on the top of the Sensor and pull forward to remove the front cover.
- The Sensor will transmit the tamper condition to the Nexia Bridge.
- Check that the tamper condition is indicated on the Nexia portal Event History tab. (Refer to the example below.)
- Replace the Sensor cover.

Event History				
↕ Date	↕ Time	↕ User	↕ Device	↕ Event
02/15/2012	12:00 PM		New Sensor 4	ALARM 01 11
02/15/2012	11:30 AM		New Sensor 4	Closed
02/15/2012	11:30 AM		New Sensor 4	Opened

5

Install the Sensor and Magnet

! The Sensor and Magnet may be installed using either adhesive tape or screws. Follow steps for the preferred method.

! For door applications, determine door handing before installation (see examples shown below).

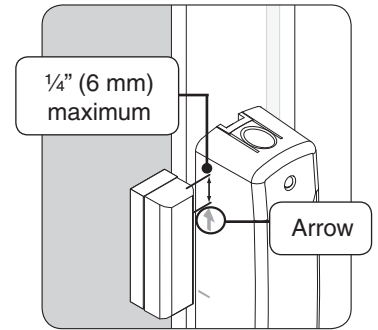
Install the Sensor with screws

- Use the two flat-head screws to attach the Sensor mounting bracket to the door jamb or window frame.
- Attach the Sensor to the mounting bracket, then push down (or up) to secure the Sensor on the bracket.

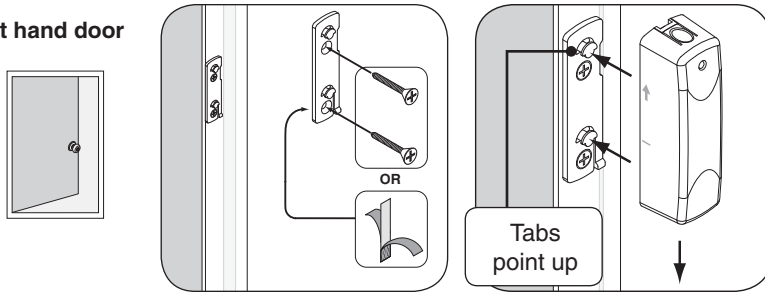
OR Install the Sensor with adhesive tape

- Attach the Sensor mounting bracket to the door jamb or window frame using a strip of double-sided adhesive tape.
- Attach the Sensor to the mounting bracket, then push down (or up) to secure the Sensor on the bracket. *Note: Extended use of double-sided tape may damage paint or wallboard.*

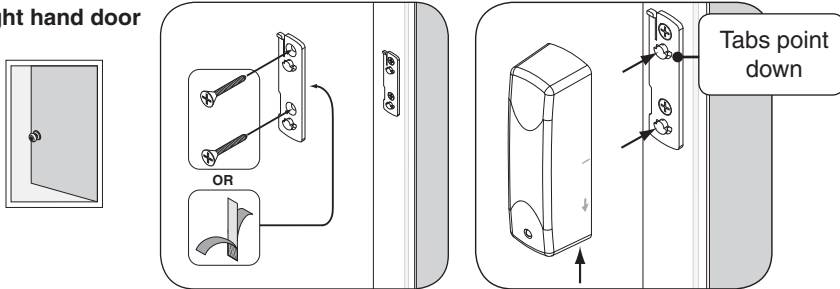
IMPORTANT!
Sensor and magnet must be aligned as shown



Left hand door



Right hand door



! The top of the magnet must be within 1/4" (6 mm) of the arrow on the Sensor (as shown above).

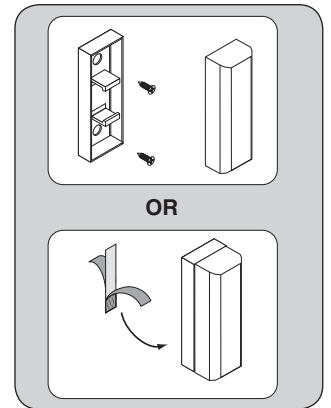
! Install the magnet no more than 3/4" (19 mm) away from the Sensor for optimal performance.

Install the Magnet with screws

- Remove the base from the magnet.
- Use two small screws to attach the base of the magnet to the door or window.
- Press the magnet onto the base.

OR Install the Magnet with adhesive tape

- Attach the magnet to the door or window using a strip of double-sided tape. *Note: Extended use of double-sided tape may damage paint or wallboard.*



6

Sensor Operation

The Sensor detects and sends open/closed position status to the Nexia Portal. The Sensor is not intended to operate as a Z-Wave repeater.

Activity	Sensor LED
Sensor unenrolled	Continuous blinking
Enrollment completed	Solid light
Tamper	Solid light
Open or closed detection	Single blink

Maintenance

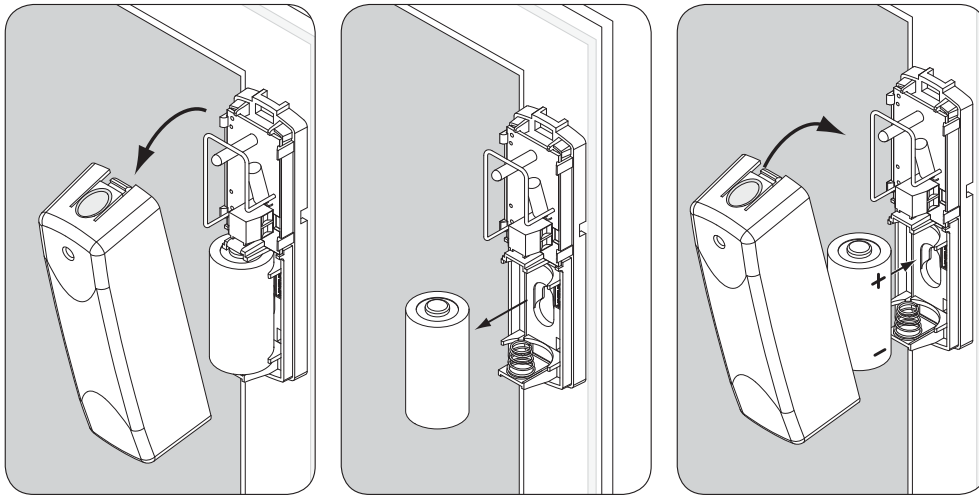
Change the Sensor Battery

- a. Press the tab on the top of the Sensor and pull forward to remove the front cover.
- b. Remove the old battery.
- c. Insert a new 3V CR123A battery. Observe polarity.
- d. Replace the Sensor front cover.

Note: Sensor enrollment is not required after battery change.



SAFETY HAZARD! BATTERY MAY EXPLODE IF NOT PROPERLY HANDLED.
DO NOT RECHARGE, DISASSEMBLE OR DISPOSE OF IN FIRE.



If necessary to remove a Sensor from the Nexia account, follow these steps to exclude the Sensor from a Z-Wave Network:

- a. Install a fresh, high-quality 9-volt battery into the Bridge.
- b. Hold the Bridge within 6 feet (1.8 meters) of the Sensor during the entire exclusion process.
- c. Press and release the “-” button on the Bridge.
- d. Remove the battery from the Sensor.
- e. Leave the battery out for at least ten (10) seconds.
- f. Reinstall the battery into the Sensor.
- g. Observe lights on the Bridge. The orange LED will blink rapidly while exclusion is taking place. Exclusion is complete when the orange LED lights solid.
- h. Remove the battery from the Sensor after exclusion is complete.

For more information, refer to the Nexia Home Bridge User Guide.

FCC Statement

This device complies with part 15 of the FCC rules. Operation is subject to the following two conditions: (1) This device may not cause harmful interference, and (2) this device must accept any interference received, including interference that may cause undesired operation.

Changes or modifications to this equipment not expressly approved by the Schlage could void the user's authority to operate the equipment.

FCC ID: P2GBE369 IC: 7654A-BE369



nexiahome.com



U.S.A. /Canada
(877) 288-7707



© 2012 Schlage Lock Company
Printed in Country
P516-485 Rev. 03/12-a15